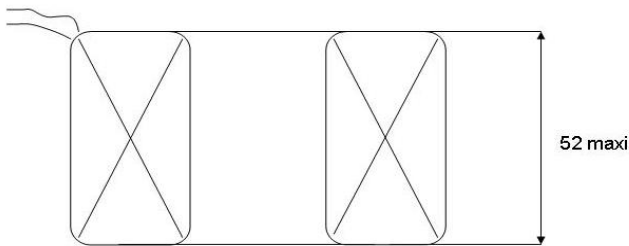
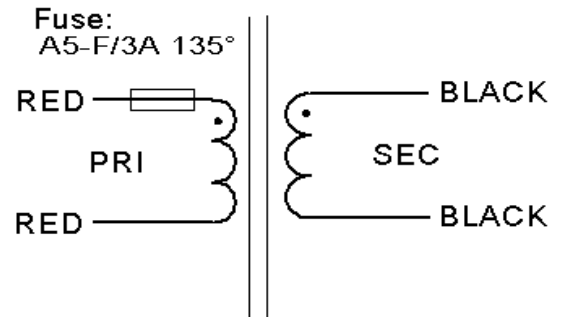
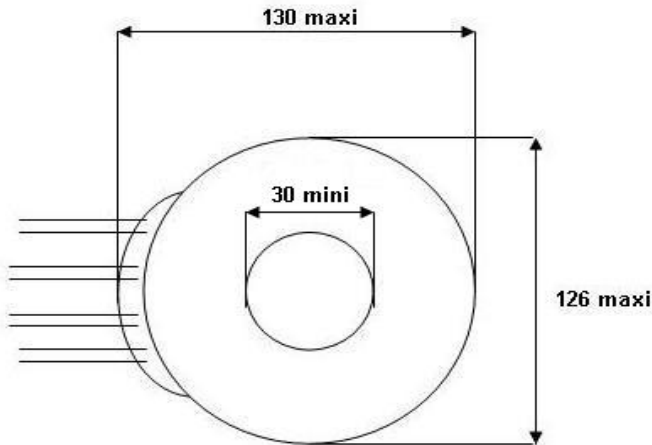




DESCRIPTION : Toroidal Transformer 200 VA

Mechanical schematics

Electrical schematic



ELECTRICAL DATA

PN	VOLTAGE		NO LOAD VOLTAGE	SECONDARY CURRENT	Ambiant T° T° class	POWER
	PRIMARY	SECONDARY				
S30200B1006	1X230V	1X6V	6,33 V	1X33,33A	Ta 50/b	200VA
S30200B1009		1X9V	9,67 V	1X22,22A		
S30200B1012		1X12V	12,33 V	1X16,67A		
S30200B1015		1X15V	15,67 V	1X13,33A		
S30200B1018		1X18V	19 V	1X11,11A		

GENERAL CHARACTERISTICS

- Safety transformers, compliant with NF EN61558
- UL components
- Protection rating : IP00
- Approximate weight : 350 g

ACCESSORIES

- 1 Metal washer - Ø int 8 mm
- 2 Rubber washer Ø int 8 mm
- 1 Screw M8
- 1 Hex nut M8
- 2 Washers Ø 8 mm

PRINTING

- TPE (TECH POWER ELECTRONICS)
- PN
- DATE CODE
- VOLTAGE
- POWER
- EN 61558