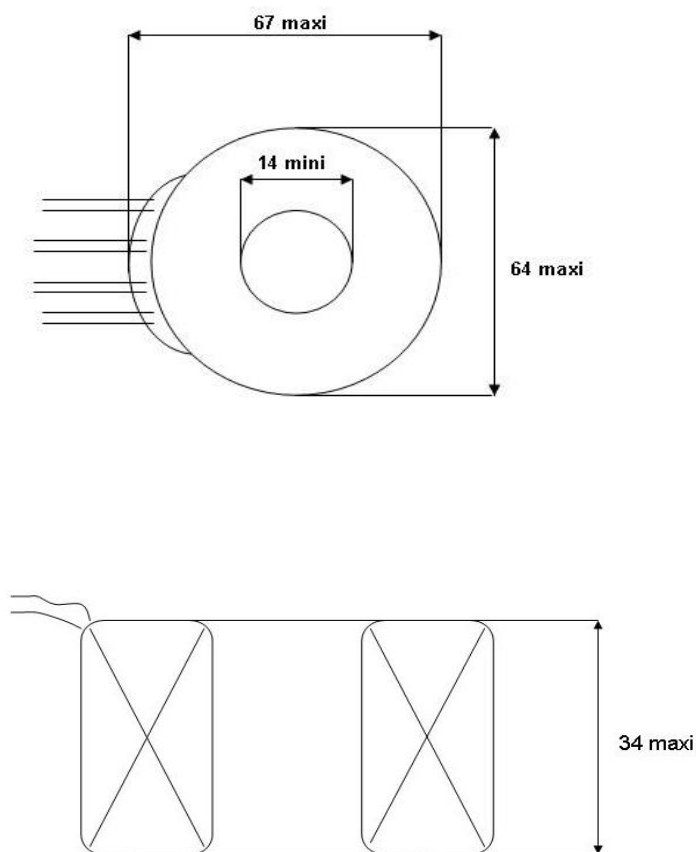


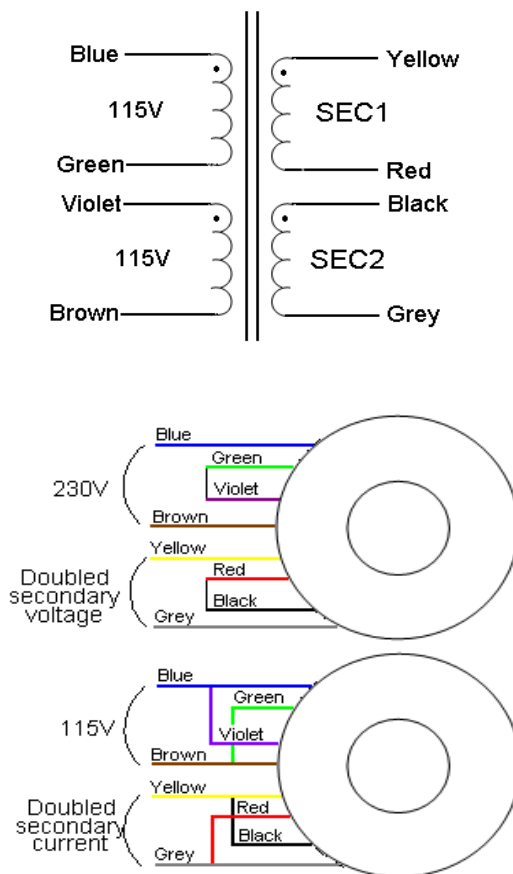


DESCRIPTION : Toroidal Transformer 15 VA

Mechanical schematics



Electrical schematics



ELECTRICAL DATA

| PN | VOLTAGE | | NO LOAD VOLTAGE | SECONDARY CURRENT | Ambiant T° T° class | POWER |
|-------------|---------|-----------|-----------------|-------------------|------------------------|-------|
| | PRIMARY | SECONDARY | | | | |
| S30015D2006 | 2X115V | 2X6V | 7,1V | 2X1,25A | Ta 50/b | 15VA |
| S30015D2009 | | 2X9V | 10,8V | 2X0,83A | | |
| S30015D2012 | | 2X12V | 14,33V | 2X0,63A | | |
| S30015D2015 | | 2X15V | 17,66V | 2X0,50A | | |
| S30015D2018 | | 2X18V | 24,45V | 2X0,42A | | |

| GENERAL CHARACTERISTICS | ACCESSORIES | PRINTING |
|---|---|---|
| <ul style="list-style-type: none"> - Safety transformers, compliant with NF EN61558 - UL components - Protection rating : IP00 - Approximate weight : 350 g | <ul style="list-style-type: none"> - 1 Metal washer - Ø int 6 mm - 2 Rubber washer Ø int 6 mm - 1 Screw M6 - 1 Hex nut M6 - 2 Washers Ø 6 mm | <ul style="list-style-type: none"> - TPE (TECH POWER ELECTRONICS) - PN - DATE CODE - VOLTAGE - POWER - EN 61558 |