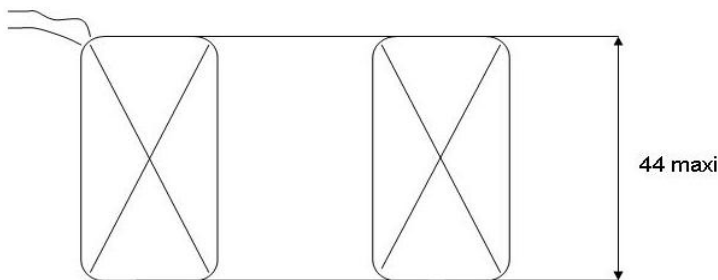
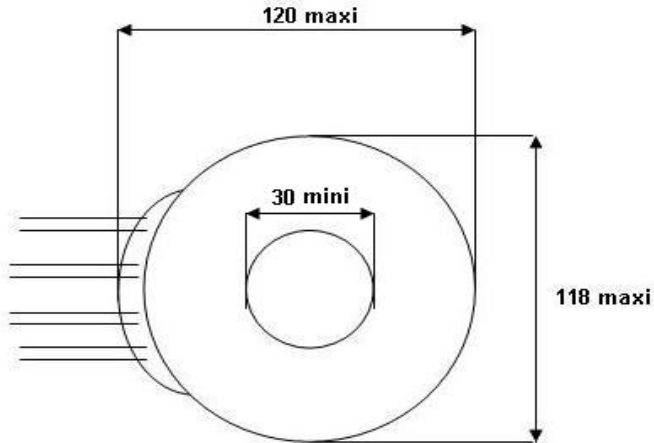


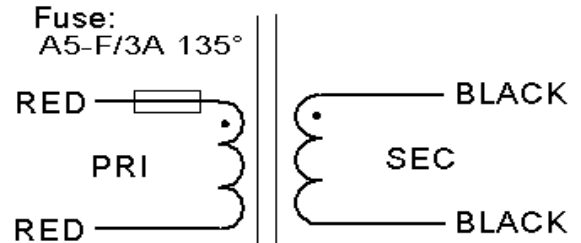


DESCRIPTION : Toroidal Transformer 150 VA

Mechanical schematics



Electrical schematic



ELECTRICAL DATA

PN	VOLTAGE		NO LOAD VOLTAGE	SECONDARY CURRENT	Ambiant T° T° class	POWER
	PRIMARY	SECONDARY				
S30150B1006	1X230V	1X6V	9,5 V	1X25A	Ta 50/b	150VA
S30150B1009		1X9V	9,61 V	1X16,67A		
S30150B1012		1X12V	12,63 V	1X12,5A		
S30150B1015		1X15V	16,1 V	1X10A		
S30150B1018		1X18V	19,21 V	1X8,33A		

GENERAL CHARACTERISTICS	ACCESSORIES	PRINTING
<ul style="list-style-type: none"> - Safety transformers, compliant with NF EN61558 - UL components - Protection rating : IP00 - Approximate weight : 350 g 	<ul style="list-style-type: none"> - 1 Metal washer - Ø int 8 mm - 2 Rubber washer Ø int 8 mm - 1 Screw M8 - 1 Hex nut M8 - 2 Washers Ø 8 mm 	<ul style="list-style-type: none"> - TPE (TECH POWER ELECTRONICS) - PN - DATE CODE - VOLTAGE - POWER - EN 61558