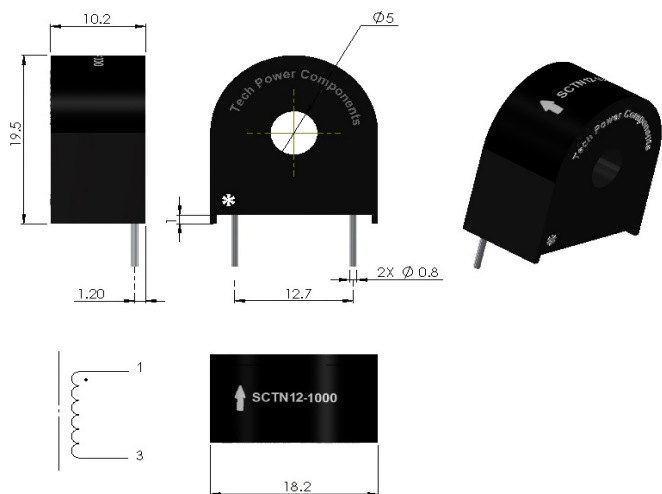


DESCRIPTION: 12A CURRENT SENSE TRANSFORMER

MECHANICAL CHARACTERISTICS



- Arrow designates direction of Primary current in phase with pin 1 (identified by * on box)
- Isolation Pri to Sec : 3 KV_{ac} min



- Weight : 6 g
- Unless otherwise stated, all dimensions in mm $\pm 0,25$

ELECTRICAL DATA (Ta = 25°C)

Current Range	0 ~ 12A	Frequency Range	50 ~ 400Hz
Turns Ratio	1:1000	Internal Resistance	40Ω
Phase Angle Error	≤60'	Linearity	≤0,5%
Accuracy Class	0,5	Rated Burden Resistance	≤50Ω
Operating temperature range	-40°C to +125°C		
Storage temperature range	-40°C to +125°C		

OUTPUT CHARACTERISTICS

