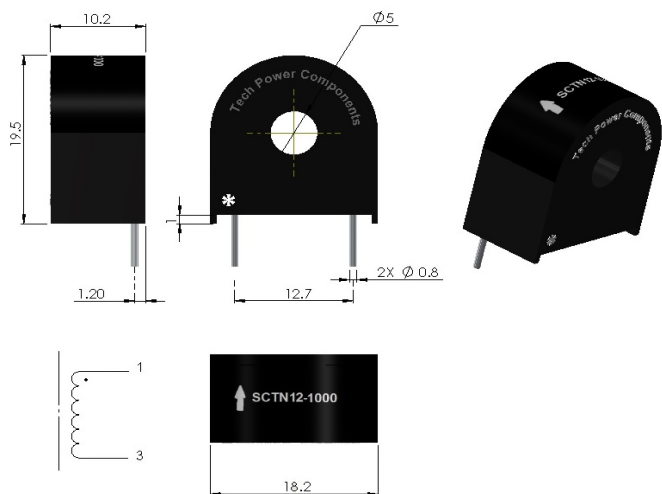


## DESCRIPTION: 10A CURRENT SENSE TRANSFORMER

### MECHANICAL CHARACTERISTICS



- Arrow designates direction of Primary current in phase with pin 1 (identified by \* on box )
- Isolation Pri to Sec : 3 KV<sub>ac</sub> min



- Weight : 6 g
- Unless otherwise stated, all dimensions in mm  $\pm 0,25$

### ELECTRICAL DATA (Ta = 25°C)

Current Range	0 ~ 10A	Frequency Range	50 ~ 400Hz
Turns Ratio	1:750	Internal Resistance	25Ω
Phase Angle Error	≤60'	Linearity	≤0,5%
Accuracy Class	0,5	Rated Burden Resistance	≤50Ω
Operating temperature range	-40°C to +125°C		
Storage temperature range	-40°C to +125°C		

### OUTPUT CHARACTERISTICS

