

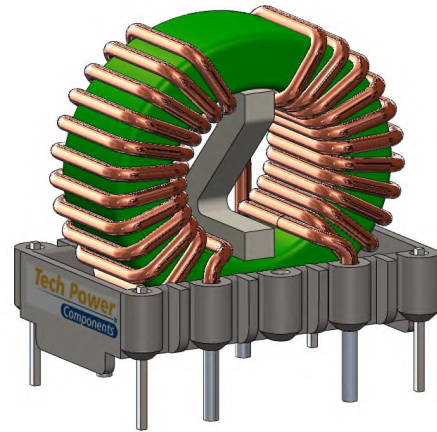
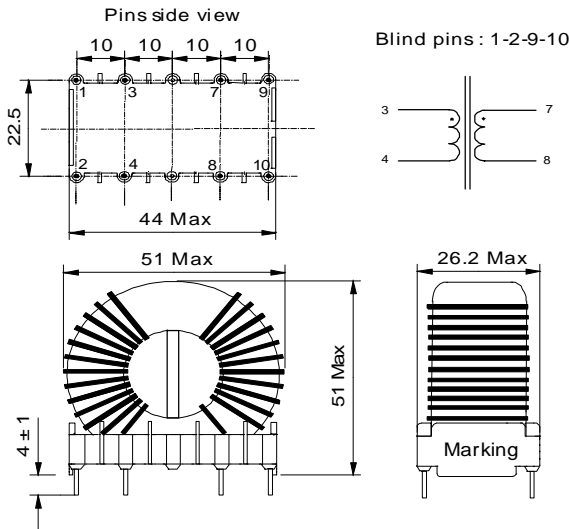
DATA SHEET

PN : SCN185V240

By Tech Power electronics

**DESCRIPTION : Nanocrystalline toroidal common mode choke
2 X 18,5 mH - 24A**

MECHANICAL DIMENSIONS (mm)



Ø Pin 1,70mm Cu tinned Implantation in holes Ø 2,0
Blind pins Ø 0,63 Implantation in holes Ø 1,2

m ≈ 105 g

ELECTRICAL PROPERTIES

MEASUREMENT CONDITIONS	CHARACTERISTICS	VALUE	UNIT	TOLERANCE
10kHz 10mV	Inductance	18,5	mH	± 40 %
100kHz 10mV	Inductance	3,7	mH	± 40 %
25°C	Resistance	5,5	mΩ	Typ.
< 70°C	Nominal Current	24	A	
50Hz	Rated Voltage	250	V	

Ambient temperature Ta = - 40° C to + 70° C

Max. operating temperature = 130° C

Data derating in case of deviant ambient temperatures or deviant nominal currents,

OTHER PROPERTIES

APPROVALS	TEST CONDITIONS	RoHS COMPLIANT	
UL94 V-0 IEC60938-2 (VDE565-2-1)	Humidity : 33 % Temperature : 25°C Withstanding Voltage : 1500 Vac		
		Creation	12/07/11
		Modification	Date