

**DATA SHEET**

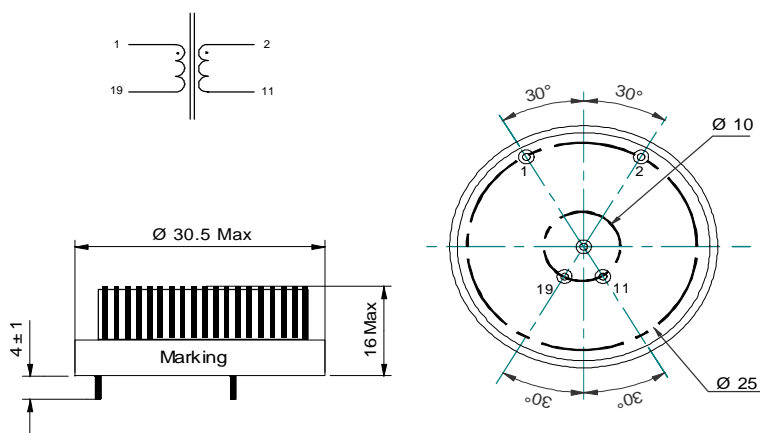
**PN : SCN120H075**

**By Tech Power electronics**

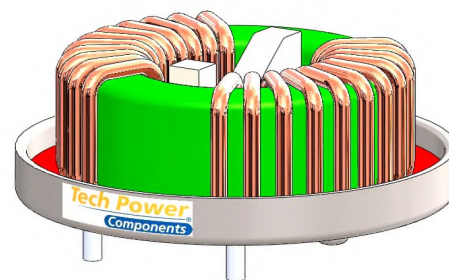
**DESCRIPTION : Nanocrystalline toroidal common mode choke  
2 X 12 mH - 7,5A**

**MECHANICAL DIMENSIONS (mm)**

Pins side view



Ø Pin 0,80mm Cu tinned  
Implantation in holes Ø 1,1



m ≈ 18 g

**ELECTRICAL PROPERTIES**

MEASUREMENT CONDITIONS	CHARACTERISTICS	VALUE	UNIT	TOLERANCE
10kHz 10mV	Inductance	12	mH	± 40 %
100kHz 10mV	Inductance	2,2	mH	± 40 %
25°C	Resistance	16	mΩ	Typ.
< 70°C	Nominal Current	7,5	A	
50Hz	Rated Voltage	250	V	

Ambient temperature Ta = - 40° C to + 70° C

Max. operating temperature = 130° C

Data derating in case of deviant ambient temperatures or deviant nominal currents

**OTHER PROPERTIES**



APPROVALS	TEST CONDITIONS		
UL94 V-0 IEC60938-2 (VDE565-2-1)	Humidity : 33 % Temperature : 25°C Withstanding Voltage : 1500 Vac	Creation	1 12/07/11
		Modification	Number Date