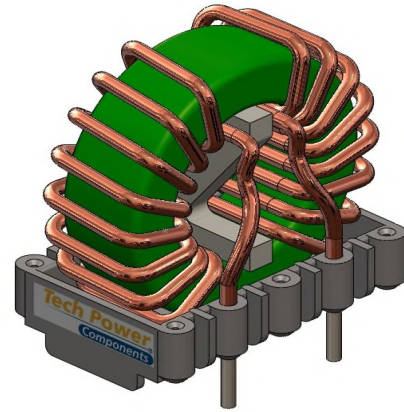
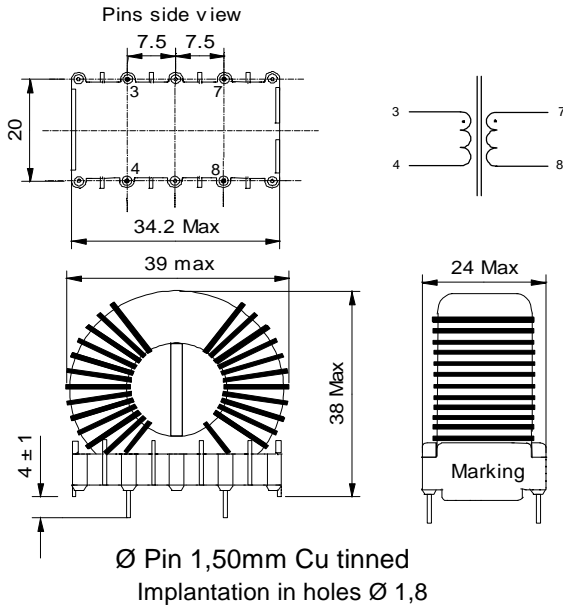


### DESCRIPTION : Nanocrystalline toroidal common mode choke 2 X 10mH - 18A

#### MECHANICAL DIMENSIONS (mm)



m ≈ 45 g

#### ELECTRICAL PROPERTIES

MEASUREMENT CONDITIONS	CHARACTERISTICS	VALUE	UNIT	TOLERANCE
10kHz 10mV	Inductance	10	mH	± 40 %
100kHz 10mV	Inductance	1,7	mH	± 40 %
25°C	Resistance	5	mΩ	Typ.
< 70°C	Nominal Current	18	A	
50Hz	Rated Voltage	250	V	

Ambient temperature Ta = - 40° C to + 70° C

Max. operating temperature = 130° C

Data derating in case of deviant ambient temperatures or deviant nominal currents

#### OTHER PROPERTIES

APPROVALS	TEST CONDITIONS	RoHS COMPLIANT		
UL94 V-0 IEC60938-2 (VDE565-2-1)	Humidity : 33 % Temperature : 25°C Withstanding Voltage : 1500 Vac			
		Creation	1	12/07/11
		Modification	Number	Date