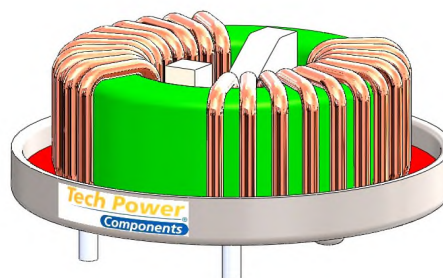
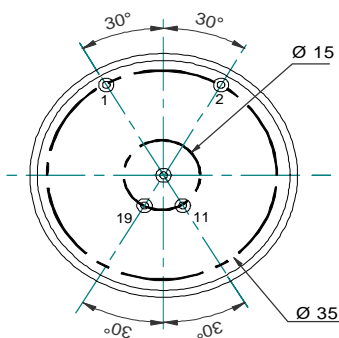
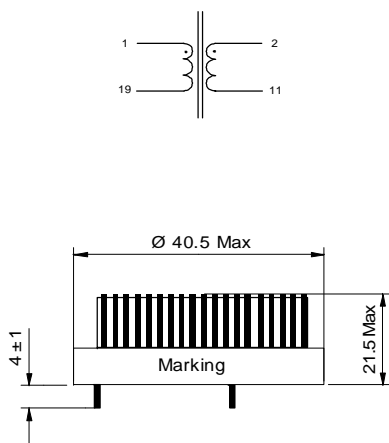


### DESCRIPTION : Nanocrystalline toroidal common mode choke 2 X 6 mH - 22A

#### MECHANICAL DIMENSIONS (mm)

Pins side view



Ø Pin 1,60mm Cu tinned  
Implantation in holes Ø 1,9

m ≈ 45 g

#### ELECTRICAL PROPERTIES

MEASUREMENT CONDITIONS	CHARACTERISTICS	VALUE	UNIT	TOLERANCE
10kHz 10mV	Inductance	6	mH	± 40 %
100kHz 10mV	Inductance	1	mH	± 40 %
25°C	Resistance	3,6	mΩ	Typ.
< 70°C	Nominal Current	22	A	
50Hz	Rated Voltage	250	V	

Ambient temperature Ta = - 40° C to + 70° C

Max. operating temperature = 130° C

Data derating in case of deviant ambient temperatures or deviant nominal currents

#### OTHER PROPERTIES



APPROVALS	TEST CONDITIONS			
UL94 V-0 IEC60938-2 (VDE565-2-1)	Humidity : 33 % Temperature : 25°C Withstanding Voltage : 1500 Vac			
		Creation	1	12/07/11
		Modification	Number	Date