

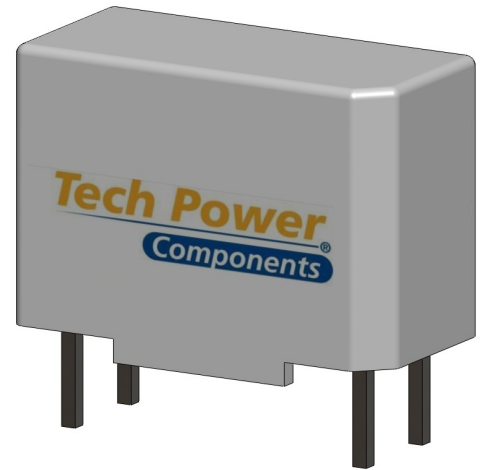
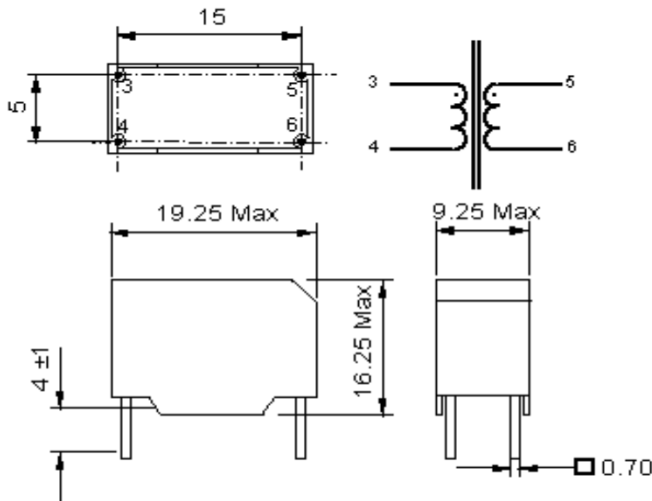
DATASHEET

PN : SCF120V003

By Tech Power electronics

**DESCRIPTION : TOROIDAL COMMON MODE CHOKE
2 X 12 mH - 0,3A**

MECHANICAL DIMENSIONS (mm)



Implantation in holes \varnothing 1,3

ELECTRICAL PROPERTIES

| MEASUREMENT CONDITIONS | CHARACTERISTICS | VALUE | UNIT | TOLERANCE |
|------------------------|-----------------|-------|------------|---------------|
| 10kHz 10mV | Inductance | 12 | mH | + 50 % / -30% |
| 25°C | Resistance | 920 | m Ω | ± 15% |
| < 60°C | Nominal Current | 0,3 | A | |
| 50Hz | Rated Voltage | 250 | V | |

OTHER PROPERTIES

| APPROVALS | TEST CONDITIONS | RoHS COMPLIANT | |
|--|--|----------------|----------|
| UL94 V-0 IEC60938-2 (VDE565-2-1) Climatic Class : 40/125/21 Operating temperature : -40°C to +125°C | Humidity : 33 % Temperature : 25°C Withstanding Voltage : 1500 Vac | Creation | 12/07/11 |
| | | Modification | Date |
| | | | |