

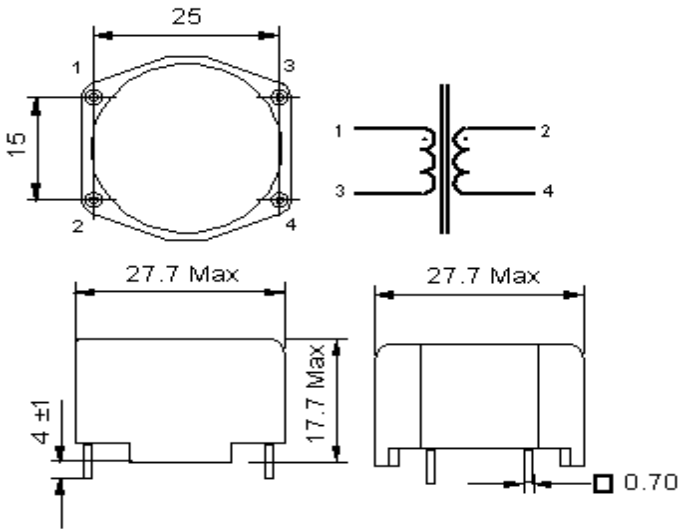
DATASHEET

PN : SCF100H015



**DESCRIPTION : TOROIDAL COMMON MODE CHOKE
2 X 10 mH - 1,5A**

MECHANICAL DIMENSIONS (mm)



Implantation in holes Ø 1,3

ELECTRICAL PROPERTIES

| MEASUREMENT CONDITIONS | CHARACTERISTICS | VALUE | UNIT | TOLERANCE |
|------------------------|-----------------|-------|------|---------------|
| 10kHz 10mV | Inductance | 10 | mH | + 50 % / -30% |
| 25°C | Resistance | 220 | mΩ | ± 15% |
| < 60°C | Nominal Current | 1,5 | A | |
| 50Hz | Rated Voltage | 250 | V | |

OTHER PROPERTIES

| APPROVALS | TEST CONDITIONS | RoHS COMPLIANT | | |
|--|--|----------------|--------|----------|
| UL94 V-0 IEC60938-2 (VDE565-2-1) Climatic Class : 40/125/21 Operating temperature : -40°C to +125°C | Humidity : 33 % Temperature : 25°C Withstanding Voltage : 1500 Vac | Modification | Number | Date |
| | | Creation | 1 | 12/07/11 |
| | | | | |
| | | | | |