

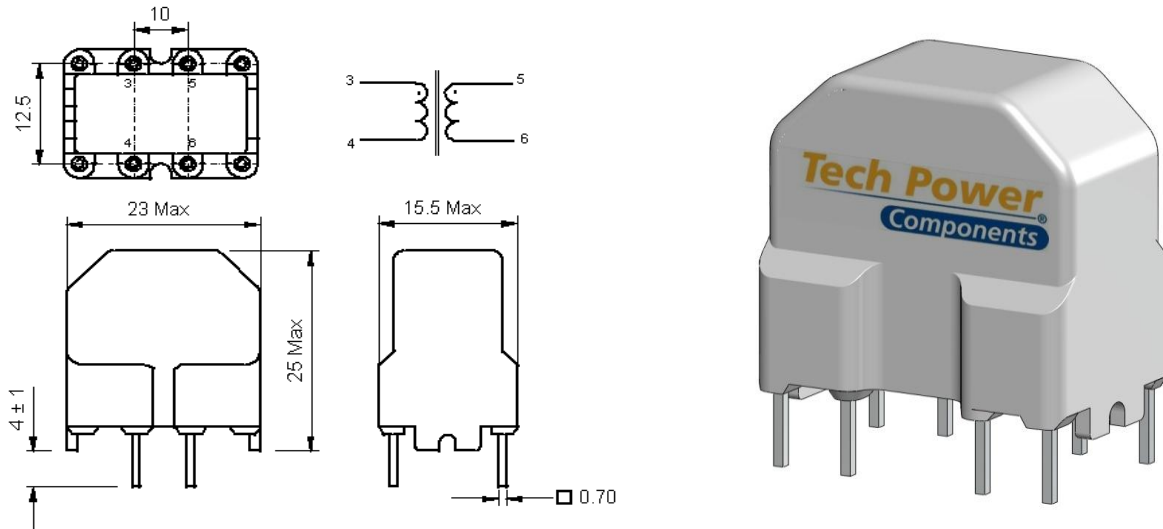
## DESCRIPTION : TOROIDAL COMMON MODE CHOKE 2 X4,2 mH - 2A

**DATA SHEET**

**PN : SCF042V020**

By **Tech Power** electronics

### MECHANICAL DIMENSIONS (mm)




Implantation in holes  $\varnothing$  1,3

### ELECTRICAL PROPERTIES

MEASUREMENT CONDITIONS	CHARACTERISTICS	VALUE	UNIT	TOLERANCE
10kHz 10mV	Inductance	4,2	mH	+ 50 % / -30%
25°C	Resistance	102	m $\Omega$	$\pm$ 15%
< 60°C	Nominal Current	2	A	
50Hz	Rated Voltage	250	V	

### OTHER PROPERTIES

APPROVALS	TEST CONDITIONS														
UL94 V-0 IEC60938-2 (VDE565-2-1) Climatic Class : 40/125/21 Operating temperature : -40°C to +125°C	Humidity : 33 % Temperature : 25°C Withstanding Voltage : 1500 Vac	<table border="1"> <tr> <td>Creation</td> <td>1</td> <td>12/07/11</td> </tr> <tr> <td>Modification</td> <td>Number</td> <td>Date</td> </tr> <tr> <td></td> <td></td> <td></td> </tr> <tr> <td></td> <td></td> <td></td> </tr> </table>	Creation	1	12/07/11	Modification	Number	Date							
Creation	1	12/07/11													
Modification	Number	Date													