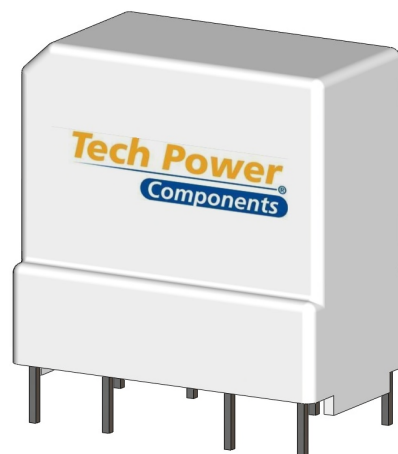
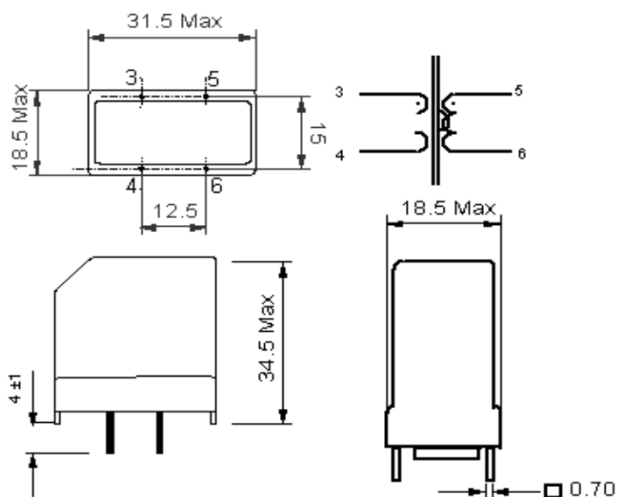


DESCRIPTION : TOROIDAL COMMON MODE CHOKE 2 X3,3 mH - 4,1A

MECHANICAL DIMENSIONS (mm)




Implantation in holes \varnothing 1,3

ELECTRICAL PROPERTIES

MEASUREMENT CONDITIONS	CHARACTERISTICS	VALUE	UNIT	TOLERANCE
10kHz 10mV	Inductance	3,3	mH	+ 50 % / -30%
25°C	Resistance	66	m Ω	\pm 15%
< 60°C	Nominal Current	4,1	A	
50Hz	Rated Voltage	250	V	

OTHER PROPERTIES

APPROVALS	TEST CONDITIONS		
UL94 V-0 IEC60938-2 (VDE565-2-1) Climatic Class : 40/125/21 Operating temperature : -40°C to +125°C	Humidity : 33 % Temperature : 25°C Withstanding Voltage : 1500 Vac		
		Creation	12/07/11
		Modification	Number
			Date