

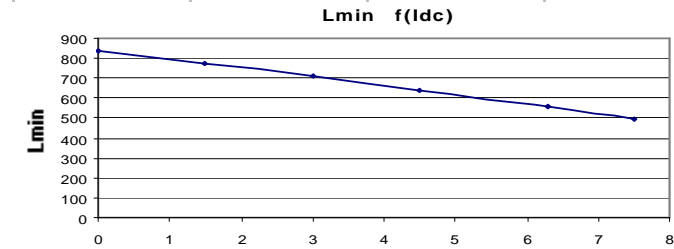
Resistance = 130mΩ max

Frequency kHz	Ripple Current	10%ΔI	20%ΔI	30%ΔI
25	Total losses mW	4110	4220	4410
	ΔT°C	24	25	25
	Total losses mW	4180	4490	5030
50	ΔT°C	24	26	28
	Total losses mW	4260	4850	5820
75	ΔT°C	25	28	32
	Total losses mW	4370	5270	6770
100	ΔT°C	25	30	36

Electrical data @ 25°C

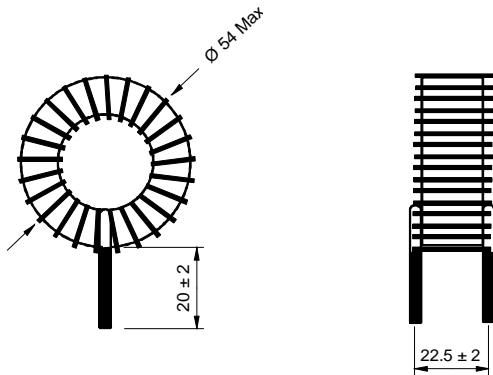
**L f(Idc) Inductance Values**

Idc (A)	Lmin (µH)
0	839
1,5	778
3	711
4,5	641
6,3	554
7,5	499

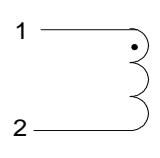


**PN : 77514SNV**

Mechanical dimensions



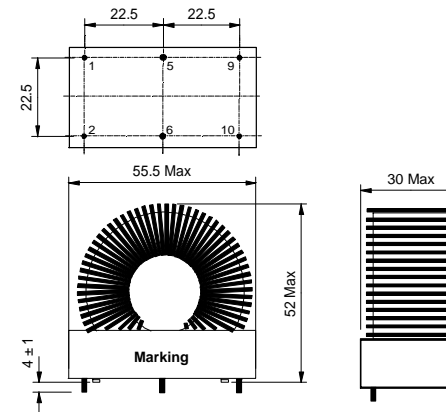
Schematic



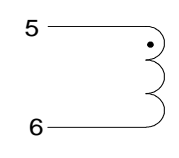
Inductance 1-2  
Implantation in holes : 1,4 mm

**PN : 77514EE**

Mechanical dimensions



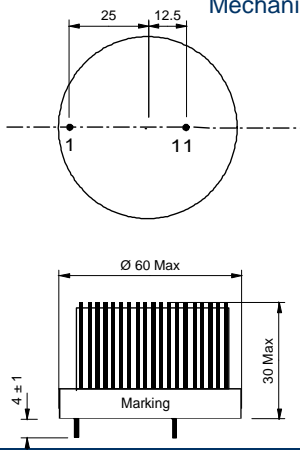
Schematic



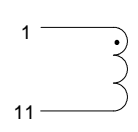
Inductance 4-5  
Blind pins 1-2-9-10  
5-6 Implantation in holes : 1,4 mm  
1-2-9-10 Implantation in holes : 1,3 mm

**PN : 77514BPC**

Mechanical dimensions



Schematic



Inductance 1-11  
Implantation in holes : 1,4 mm