

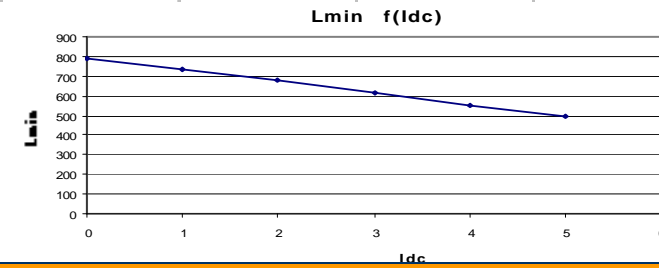
Resistance = 200mΩ max

Frequency kHz	Ripple Current	10%ΔI	20%ΔI	30%ΔI
25	Total losses mW	2480	2530	2610
	ΔT°C	21	21	22
50	Total losses mW	2510	2650	2880
	ΔT°C	21	22	24
75	Total losses mW	2550	2800	3230
	ΔT°C	21	23	26
100	Total losses mW	2590	2990	3640
	ΔT°C	22	24	29

L f(I_{dc}) Inductance Values

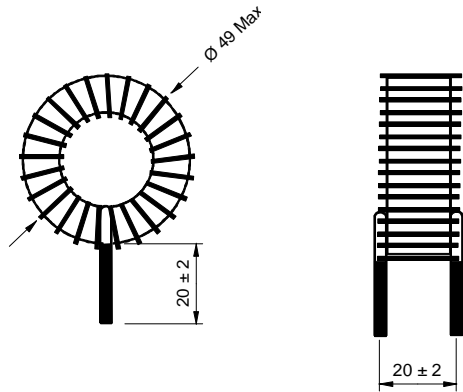
I _{dc} (A)	L _{min} (μH)
0	786
1	735
2	678
3	619
4	554
5	497

Electrical data @ 25°C

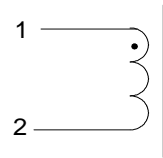


PN : 77512SNV

Mechanical dimensions



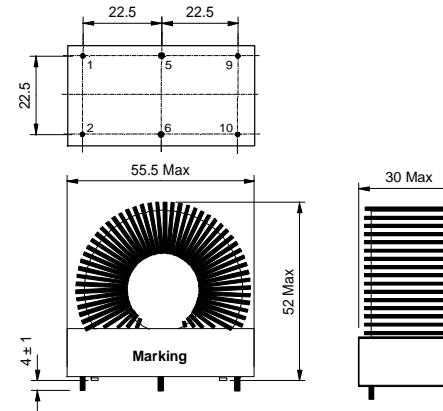
Schematic



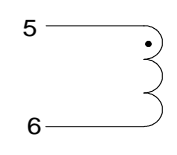
Inductance 1-2
Implantation in holes : 1,2 mm

PN : 77512EE

Mechanical dimensions



Schematic



Inductance 5-6
Blind pins 1-2-9-10
5-6 Implantation in holes : 1,3 mm