

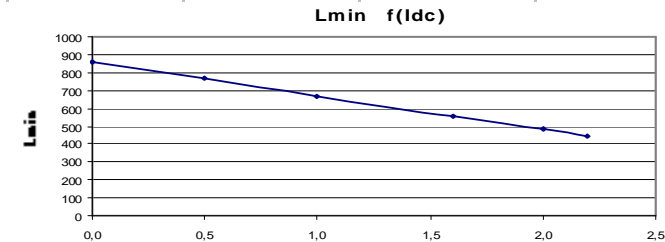
Resistance = 335mΩ max

| Frequency kHz | Ripple Current | 10%ΔI | 20%ΔI | 30%ΔI |
|---------------|-----------------|-------|-------|-------|
| 25 | Total losses mW | 710 | 750 | 850 |
| | ΔT°C | 23 | 24 | 27 |
| | Total losses mW | 720 | 830 | 1080 |
| 50 | ΔT°C | 23 | 26 | 32 |
| | Total losses mW | 740 | 930 | 1340 |
| 75 | ΔT°C | 24 | 29 | 39 |
| | Total losses mW | 750 | 1030 | |
| 100 | ΔT°C | 24 | 31 | |

Electrical data @ 25°C

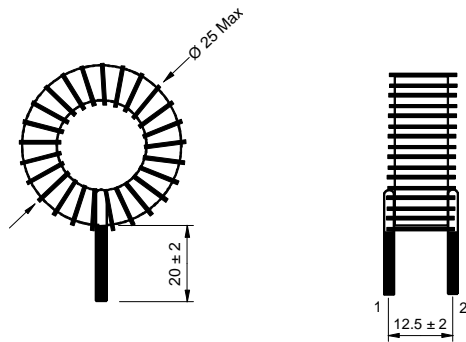
L f(Idc) Inductance Values

| Idc (A) | Lmin (µH) |
|---------|-----------|
| 0 | 862 |
| 0,5 | 766 |
| 1 | 669 |
| 1,6 | 554 |
| 2 | 480 |
| 2,2 | 445 |

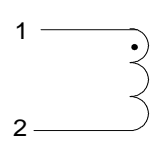


PN : 77508SNV

Mechanical dimensions



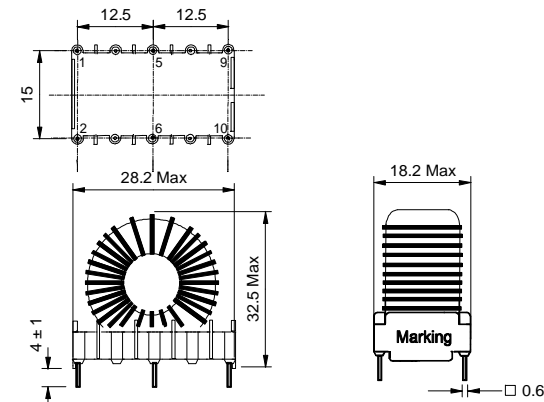
Schematic



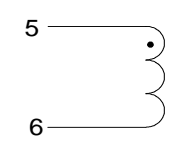
Inductance 1-2
Implantation in holes : 0.8 mm

PN : 77508EE

Mechanical dimensions



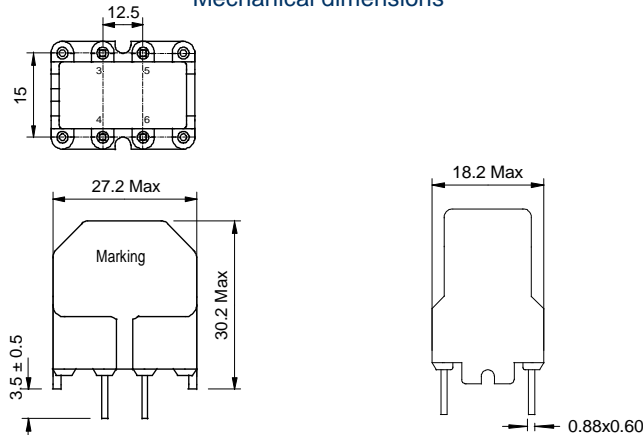
Schematic



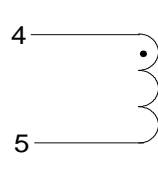
Inductance 5-6
Blind pins 1-2-9-10
Implantation in holes : 1,2 mm

PN : 77508BV

Mechanical dimensions



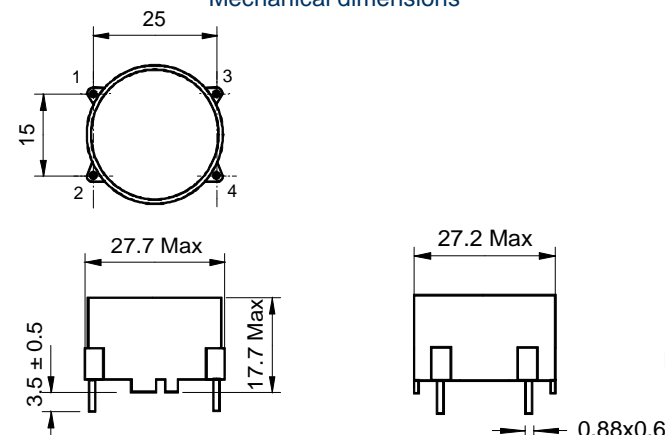
Schematic



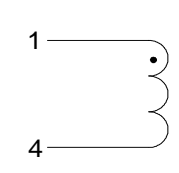
Inductance 4-5
Blind pins 3-6
Implantation in holes : 1,3 mm

PN : 77508BH

Mechanical dimensions



Schematic



Inductance 1-4
Blind pins 2-3
Implantation in holes : 1,3 mm