

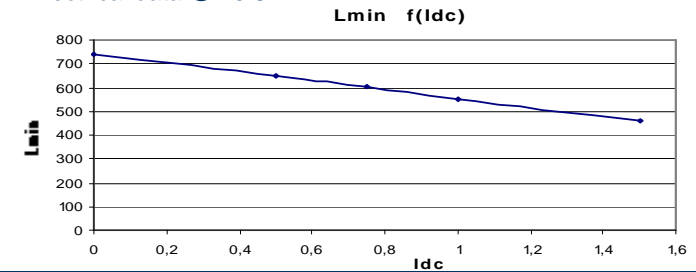
Resistance = 448mΩ max

Frequency kHz	Ripple Current	10%ΔI	20%ΔI	30%ΔI
25	Total losses mW	370	390	430
	ΔT°C	17	18	19
	Total losses mW	380	420	520
50	ΔT°C	17	19	23
	Total losses mW	390	460	630
75	ΔT°C	17	20	26
	Total losses mW	390	500	750
100	ΔT°C	18	22	31

Electrical data @ 25°C

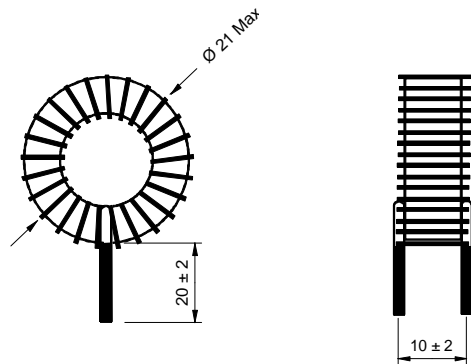
L f(I_{dc}) Inductance Values

I _{dc} (A)	L _{min} (μH)
0	739
0,5	648
0,75	601
1	554
1,5	464

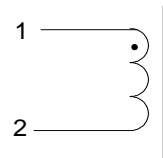


PN : 77506SNV

Mechanical dimensions



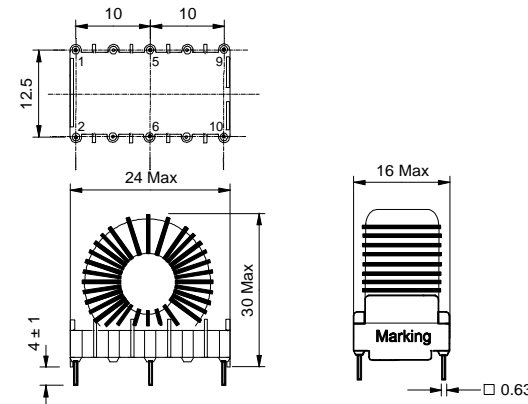
Schematic



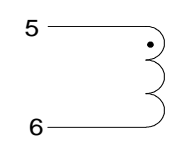
Inductance 1-2
Implantation in holes : 0,7 mm

PN : 77506EE

Mechanical dimensions



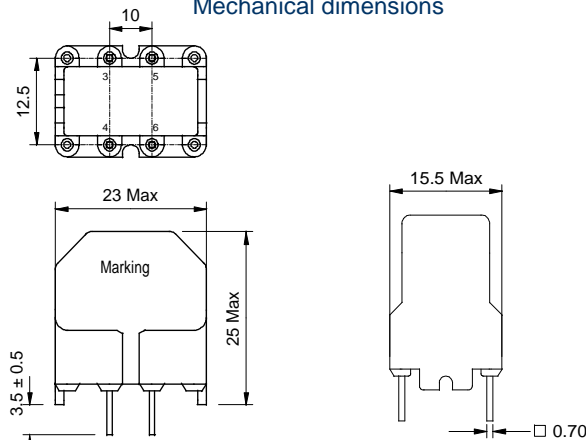
Schematic



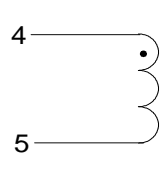
Inductance 5-6
Blind pins 1-2-9-10
Implantation in holes : 1,2 mm

PN : 77506BV

Mechanical dimensions



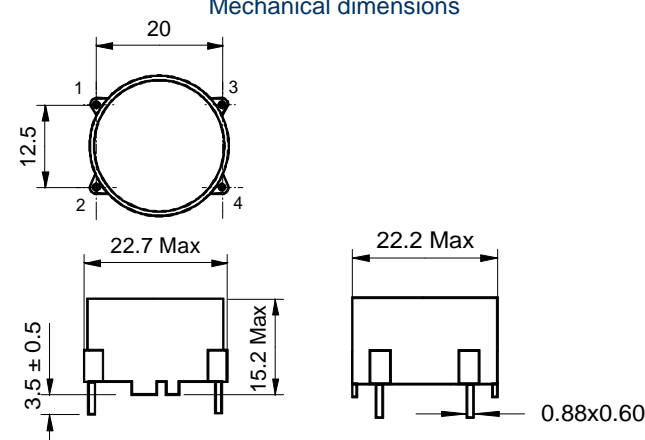
Schematic



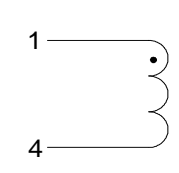
Inductance 4-5
Blind pins 3-6
Implantation in holes : 1,3 mm

PN : 77506BH

Mechanical dimensions



Schematic



Inductance 1-4
Blind pins 2-3
Implantation in holes : 1,3 mm