

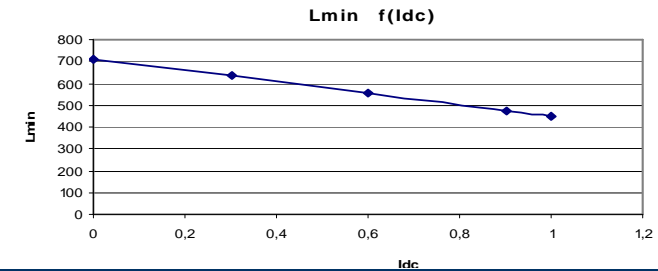
Resistance = 700 mΩ max

Frequency kHz	Ripple Current	10%ΔI	20%ΔI	30%ΔI
25	Total losses mW	210	220	230
	ΔT°C	16	17	17
	Total losses mW	210	230	260
50	ΔT°C	16	17	20
	Total losses mW	220	240	300
75	ΔT°C	16	18	22
	Total losses mW	220	260	350
100	ΔT°C	17	19	25

Electrical data @ 25°C

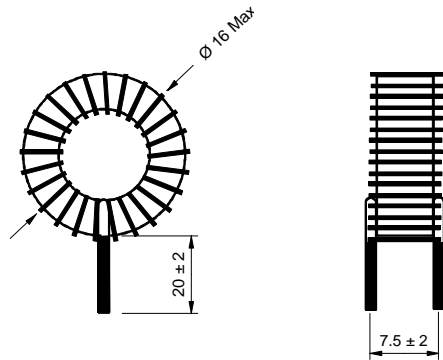
**L f(I<sub>dc</sub>) Inductance Values**

I <sub>dc</sub> (A)	L <sub>min</sub> (µH)
0	709
0,3	634
0,6	554
0,9	477
1	451

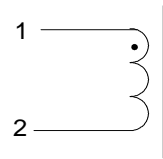


**PN : 77504SNV**

Mechanical dimensions



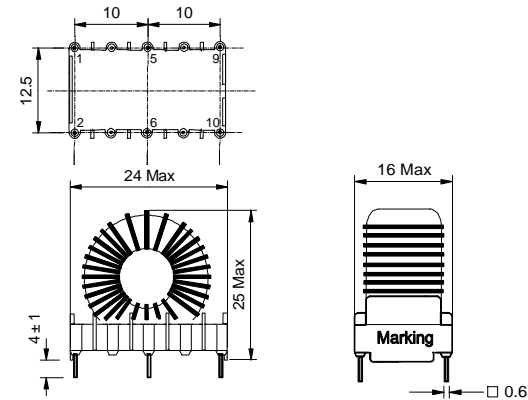
Schematic



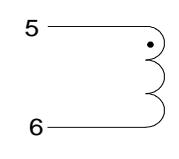
Inductance 1-2  
Implantation in holes : 0.6 mm

**PN : 77504EE**

Mechanical dimensions



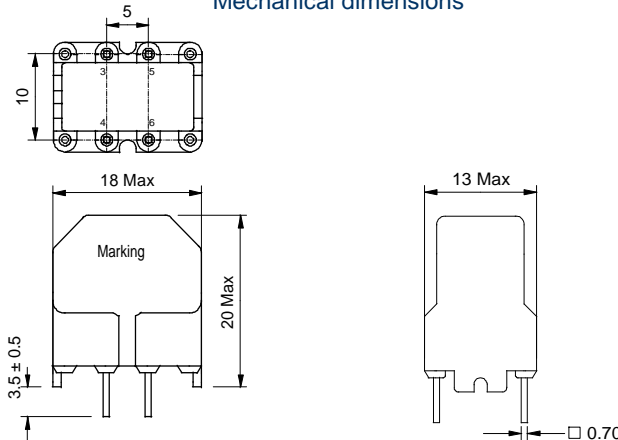
Schematic



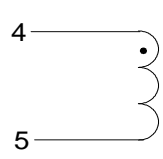
Inductance 5-6  
Blind pins 1-2-9-10  
Implantation in holes : 1,2 mm

**PN : 77504BV**

Mechanical dimensions



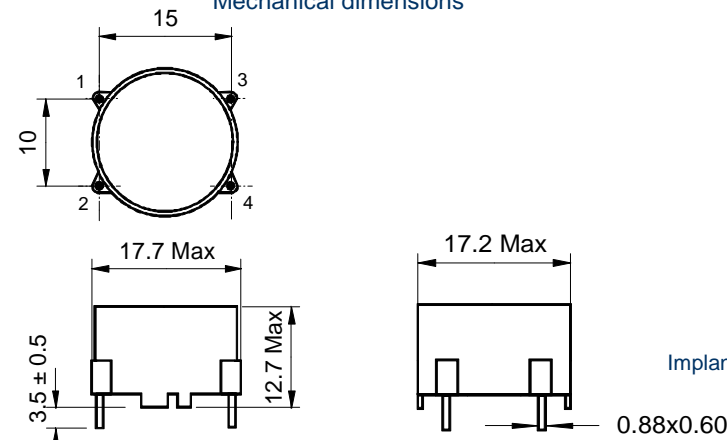
Schematic



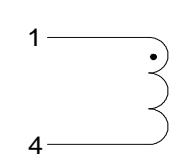
Inductance 4-5  
Blind pins 3-6  
Implantation in holes : 1,3 mm

**PN : 77504BH**

Mechanical dimensions



Schematic



Inductance 1-4  
Blind pins 2-3  
Implantation in holes : 1,3 mm