

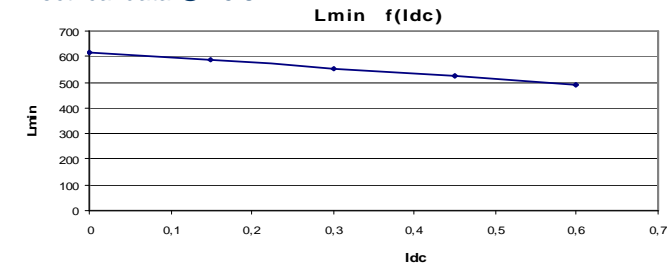
Resistance = 1470 mΩ max

Frequency kHz	Ripple Current	10%ΔI	20%ΔI	30%ΔI
25	Total losses mW	110	110	110
	ΔT°C	9	10	10
50	Total losses mW	110	110	120
	ΔT°C	9	10	10
75	Total losses mW	110	120	130
	ΔT°C	9	10	11
100	Total losses mW	110	120	140
	ΔT°C	10	10	11

Electrical data @ 25°C

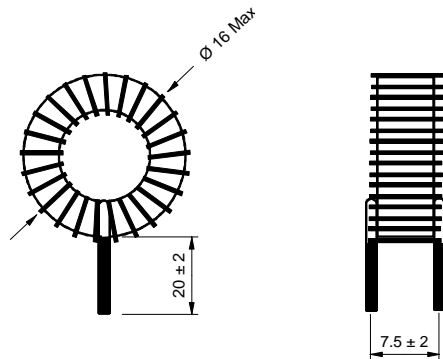
**L f(Idc) Inductance Values**

Idc (A)	Lmin (µH)
0	618
0,15	588
0,3	556
0,45	524
0,6	492

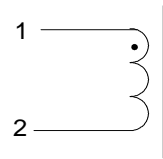


**PN : 77502SNV**

Mechanical dimensions



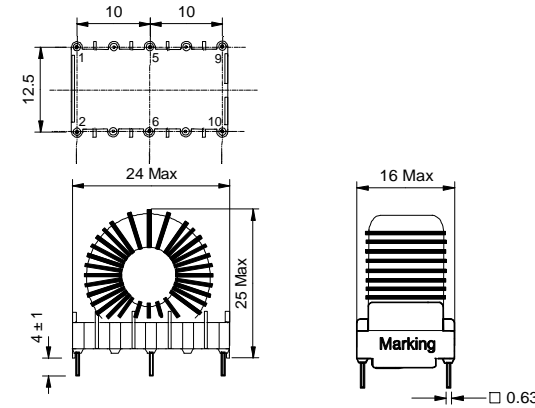
Schematic



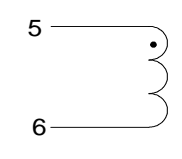
Inductance 1-2  
Implantation in holes : 0.5 mm

**PN : 77502EE**

Mechanical dimensions



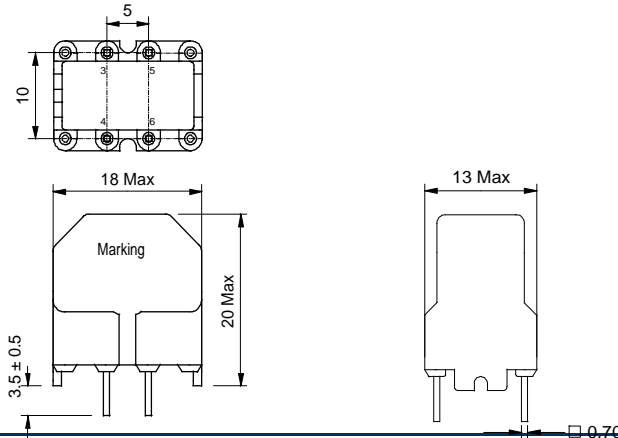
Schematic



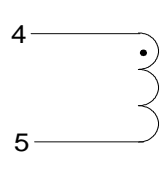
Inductance 5-6  
Blind pins 1-2-9-10  
Implantation in holes : 1,2 mm

**PN : 77502BV**

Mechanical dimensions



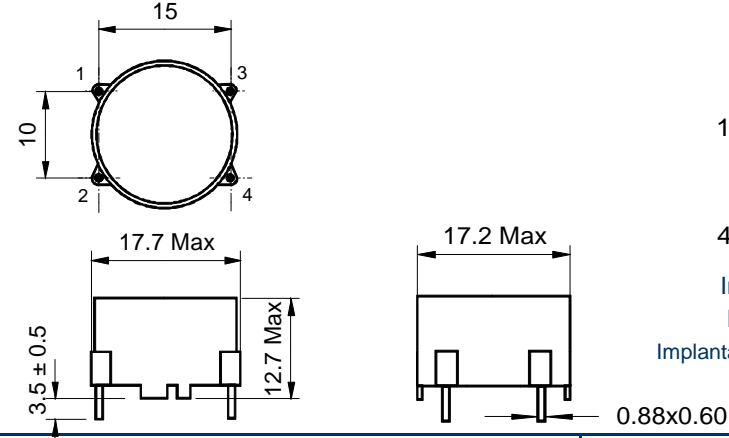
Schematic



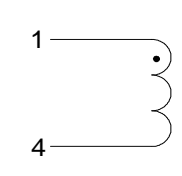
Inductance 4-5  
Blind pins 3-6  
Implantation in holes : 1,3 mm

**PN : 77502BH**

Mechanical dimensions



Schematic



Inductance 1-4  
Blind pins 2-3  
Implantation in holes : 1,3 mm