

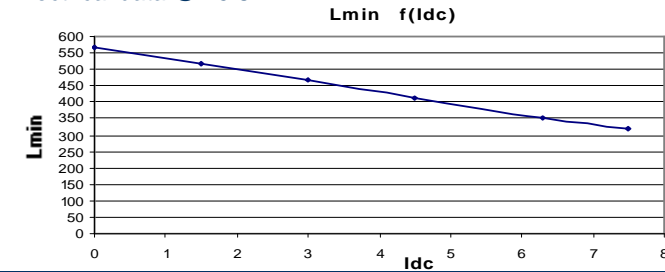
Resistance = 70mΩ max

Frequency kHz	Ripple Current	10%ΔI	20%ΔI	30%ΔI
25	Total losses mW	2410	2830	3770
	ΔT°C	20	23	29
50	Total losses mW	2540	3600	
	ΔT°C	21	28	
75	Total losses mW	2690	4510	
	ΔT°C	22	34	
100	Total losses mW	2860		
	ΔT°C	23		

Electrical data @ 25°C

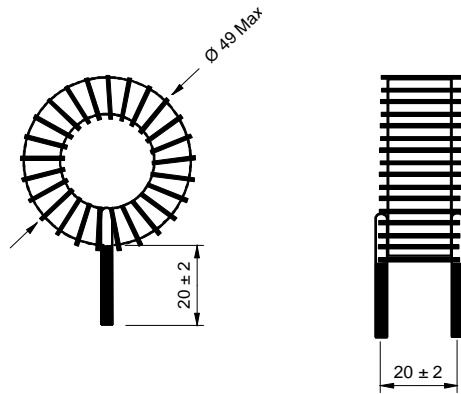
**L f(Idc) Inductance Values**

Idc (A)	Lmin (µH)
0	568
1,5	518
3	467
4,5	415
6,3	352
7,5	317

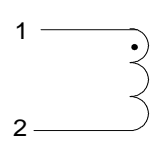


**PN : 77464SNV**

Mechanical dimensions



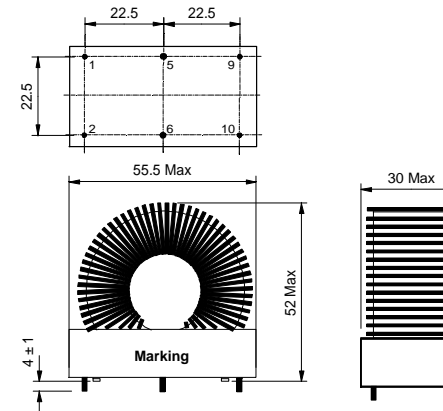
Schematic



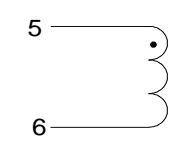
Inductance 1-2  
Implantation in holes : 1,4 mm

**PN : 77464EE**

Mechanical dimensions



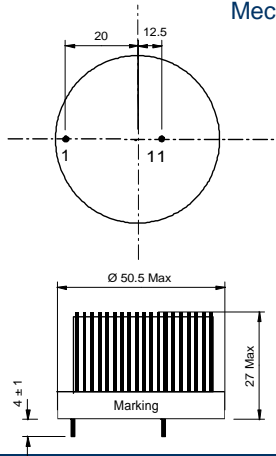
Schematic



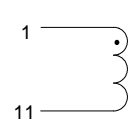
Inductance 4-5  
Blind pins 1-2-9-10  
5-6 Implantation in holes : 1,4 mm  
1-2-9-10 Implantation in holes : 1,3 mm

**PN : 77464BPC**

Mechanical dimensions



Schematic



Inductance 1-11  
Implantation in holes : 1,4 mm