

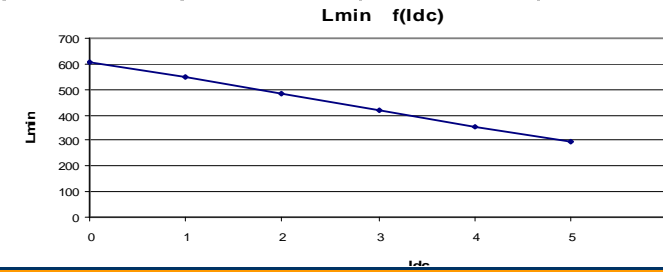
Resistance = 170 m Ω max

Frequency kHz	Ripple Current	10% Δ I	20% Δ I	30% Δ I
25	Total losses mW	2230	2250	2300
	Δ T $^{\circ}$ C	34	35	35
50	Total losses mW	2240	2320	2430
	Δ T $^{\circ}$ C	34	35	37
75	Total losses mW	2260	2400	2610
	Δ T $^{\circ}$ C	35	36	39
100	Total losses mW	2290	2490	
	Δ T $^{\circ}$ C	35	38	

L f(I_{dc}) Inductance Values

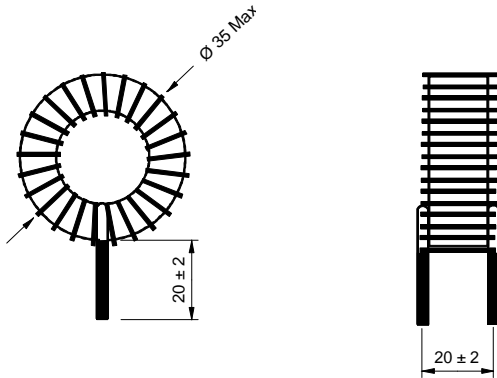
I _{dc} (A)	L _{min} (μ H)
0	608
1	551
2	487
3	420
4	352
5	294

Electrical data @ 25 $^{\circ}$ C

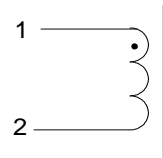


PN : 77462SNV

Mechanical dimensions



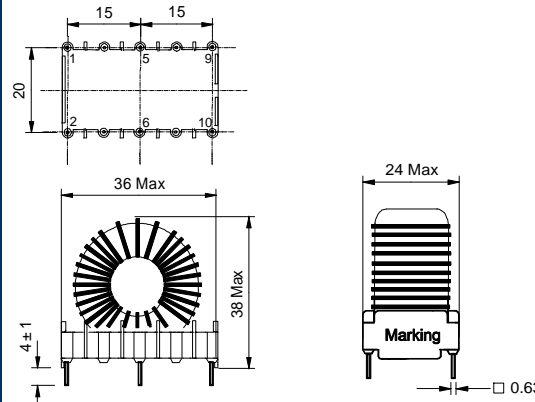
Schematic



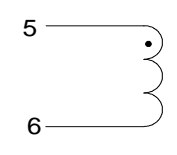
Inductance 1-2
Implantation in holes : 1.2 mm

PN : 77462EE

Mechanical dimensions



Schematic



Inductance 5-6
Blind pins 1-2-9-10
Implantation in holes : 1.2 mm

[See Version BV](#)

[See Version BH](#)