

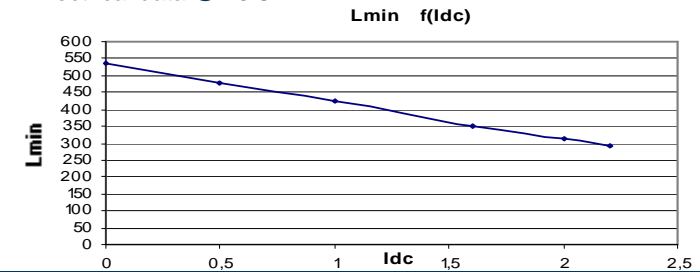
Resistance = 240 mΩ max

| Frequency kHz | Ripple Current  | 10%ΔI | 20%ΔI | 30%ΔI |
|---------------|-----------------|-------|-------|-------|
| 25            | Total losses mW | 520   | 540   | 610   |
|               | ΔT°C            | 23    | 24    | 26    |
|               | Total losses mW | 520   | 590   | 750   |
| 50            | ΔT°C            | 23    | 25    | 31    |
|               | Total losses mW | 530   | 650   | 920   |
| 75            | ΔT°C            | 23    | 27    | 37    |
|               | Total losses mW | 550   | 720   |       |
| 100           | ΔT°C            | 24    | 30    |       |

Electrical data @ 25°C

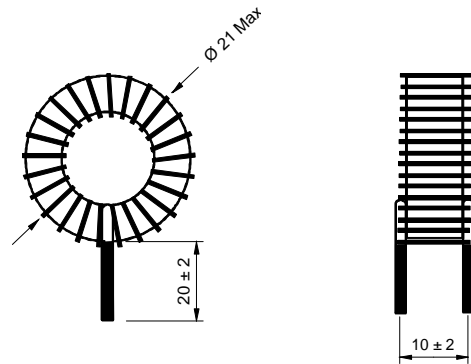
**L f(I<sub>dc</sub>) Inductance Values**

| I <sub>dc</sub> (A) | L <sub>min</sub> (µH) |
|---------------------|-----------------------|
| 0                   | 536                   |
| 0,5                 | 480                   |
| 1                   | 422                   |
| 1,6                 | 352                   |
| 2                   | 311                   |
| 2,2                 | 290                   |

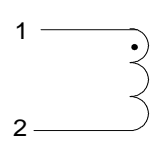


**PN : 77458SNV**

Mechanical dimensions



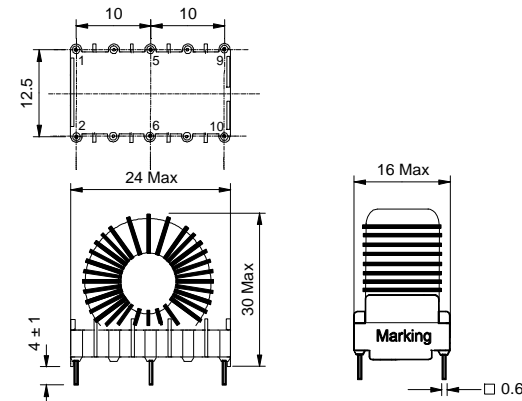
Schematic



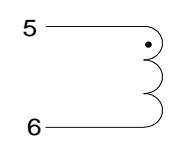
Inductance 1-2  
Implantation in holes : 0.8 mm

**PN : 77458EE**

Mechanical dimensions



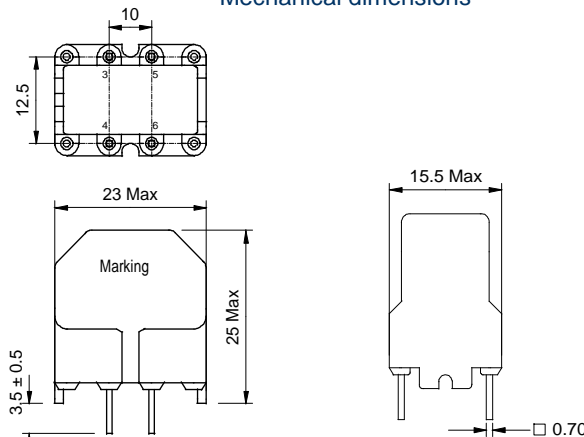
Schematic



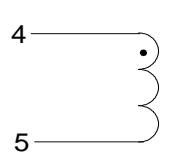
Inductance 5-6  
Blind pins 1-2-9-10  
Implantation in holes : 1,2 mm

**PN : 77458BV**

Mechanical dimensions



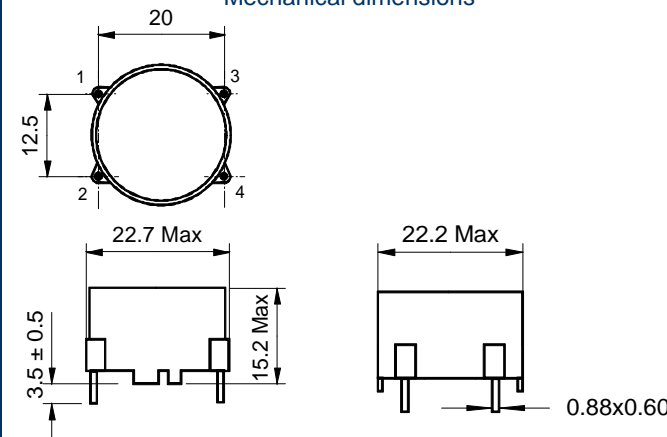
Schematic



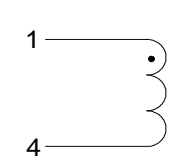
Inductance 4-5  
Blind pins 3-6  
Implantation in holes : 1,3 mm

**PN : 77458BH**

Mechanical dimensions



Schematic



Inductance 1-4  
Blind pins 2-3  
Implantation in holes : 1,3 mm