

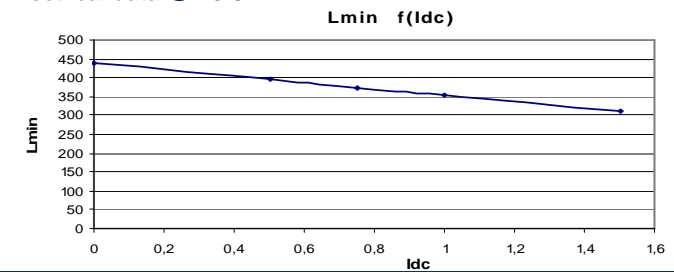
Resistance = 340 m Ω max

Frequency kHz	Ripple Current	10% Δ I	20% Δ I	30% Δ I
25	Total losses mW	280	290	320
	Δ T $^{\circ}$ C	14	14	15
	Total losses mW	290	310	370
50	Δ T $^{\circ}$ C	14	15	17
	Total losses mW	290	340	440
75	Δ T $^{\circ}$ C	14	16	20
	Total losses mW	290	360	510
100	Δ T $^{\circ}$ C	14	17	22

Electrical data @ 25 $^{\circ}$ C

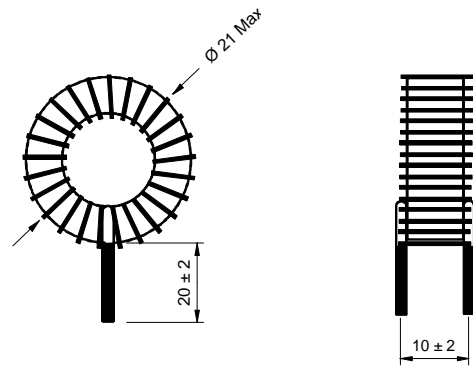
L f(I_{dc}) Inductance Values

I _{dc} (A)	L _{min} (μ H)
0	436
0,5	395
0,75	374
1	352
1,5	311

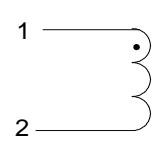


PN : 77456SNV

Mechanical dimensions



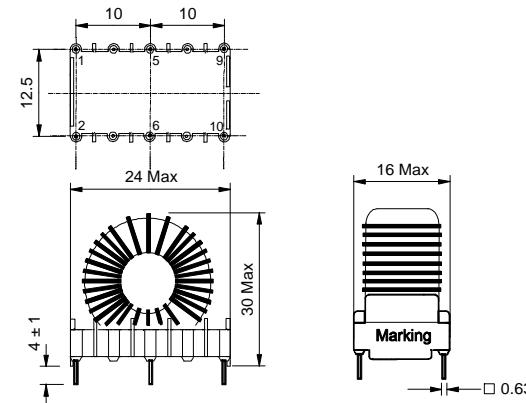
Schematic



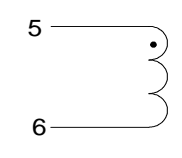
Inductance 1-2
Implantation in holes : 0.7 mm

PN : 77456EE

Mechanical dimensions



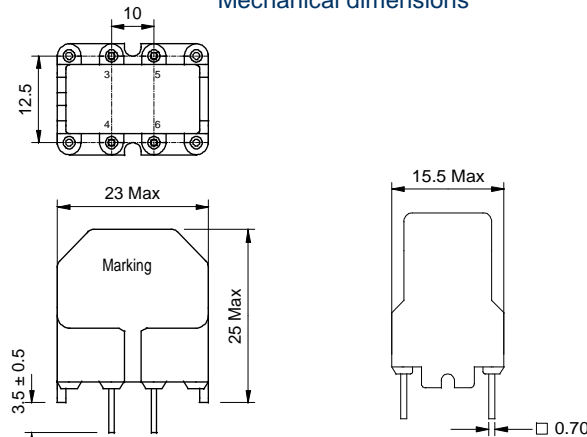
Schematic



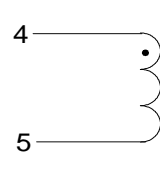
Inductance 5-6
Blind pins 1-2-9-10
Implantation in holes : 1,2 mm

PN : 77456BV

Mechanical dimensions



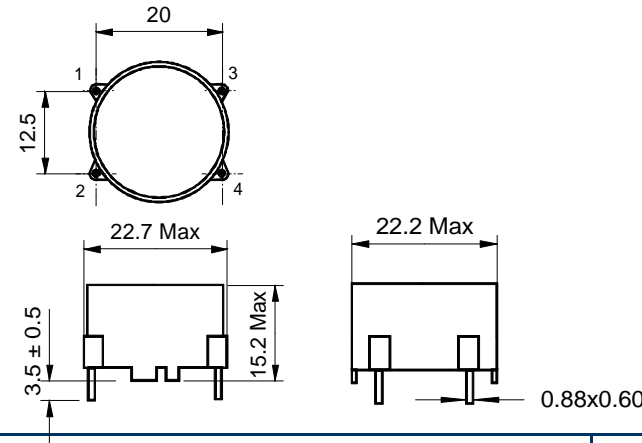
Schematic



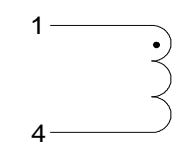
Inductance 4-5
Blind pins 3-6
Implantation in holes : 1,3 mm

PN : 77456BH

Mechanical dimensions



Schematic



Inductance 1-4
Blind pins 2-3
Implantation in holes : 1,3 mm