

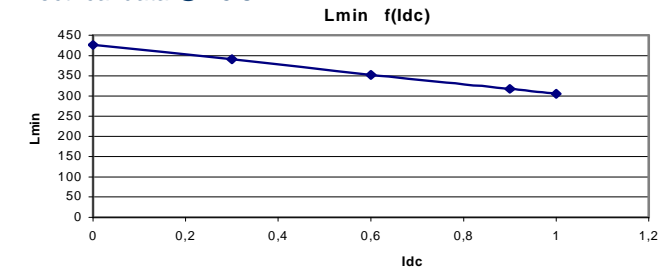
Resistance = 540 mΩ max

Frequency kHz	Ripple Current	10%ΔI	20%ΔI	30%ΔI
25	Total losses mW	160	160	170
	ΔT°C	13	13	14
50	Total losses mW	160	170	190
	ΔT°C	13	14	15
75	Total losses mW	160	180	220
	ΔT°C	13	14	17
100	Total losses mW	160	190	240
	ΔT°C	13	15	18

Electrical data @ 25°C

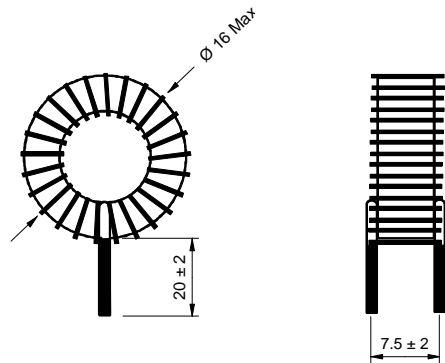
L f(I_{dc}) Inductance Values

I _{dc} (A)	L _{min} (µH)
0	426
0,3	391
0,6	352
0,9	318
1	305

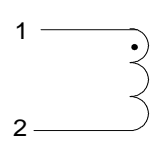


PN : 77454SNV

Mechanical dimensions



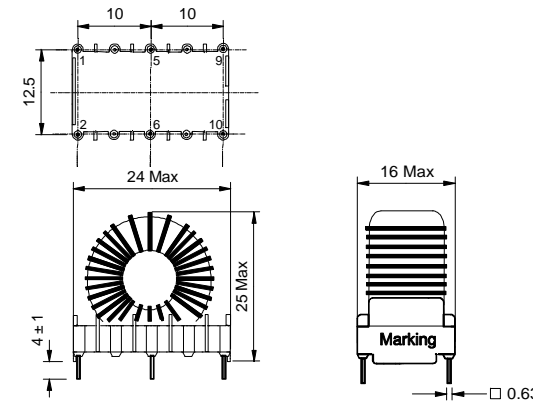
Schematic



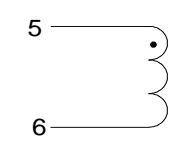
Inductance 1-2
Implantation in holes : 0.6 mm

PN : 77454EE

Mechanical dimensions



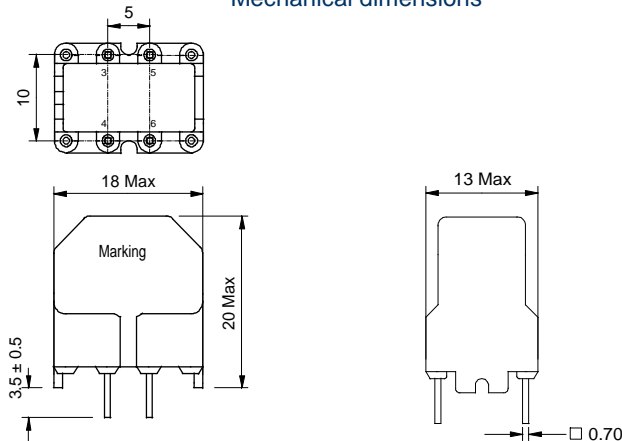
Schematic



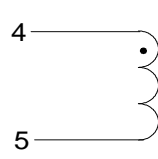
Inductance 5-6
Blind pins 1-2-9-10
Implantation in holes : 1,2 mm

PN : 77454BV

Mechanical dimensions



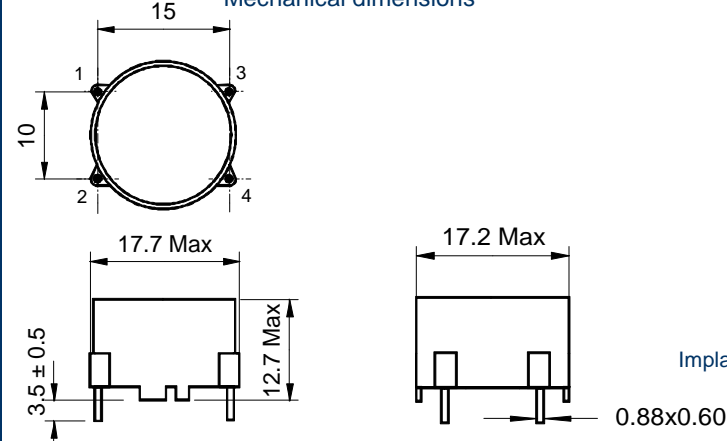
Schematic



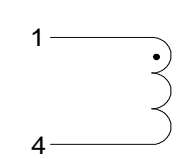
Inductance 4-5
Blind pins 3-6
Implantation in holes : 1,3 mm

PN : 77454BH

Mechanical dimensions



Schematic



Inductance 1-4
Blind pins 2-3
Implantation in holes : 1,3 mm