

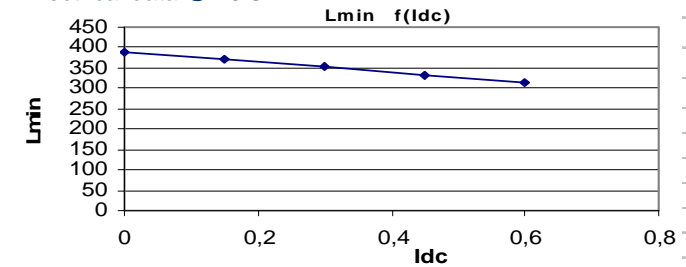
Resistance = 800m Ω max

Frequency kHz	Ripple Current	10% Δ I	20% Δ I	30% Δ I
		0,03	0,06	0,09
25	Total losses mW	60	60	60
	Δ T $^{\circ}$ C	9	9	10
50	Total losses mW	60	60	70
	Δ T $^{\circ}$ C	9	10	10
75	Total losses mW	60	60	70
	Δ T $^{\circ}$ C	9	10	11
100	Total losses mW	60	70	80
	Δ T $^{\circ}$ C	9	10	11

L f(Idc) Inductance Values

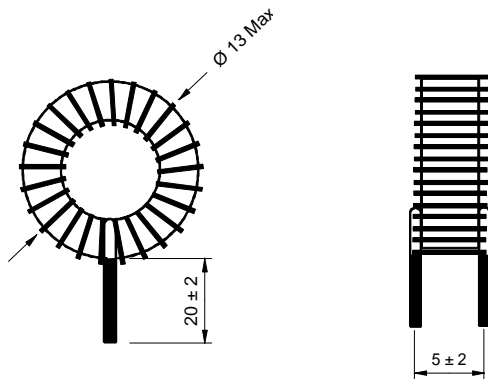
Idc (A)	Lmin (μ H)
0	391
0,15	372
0,3	352
0,45	334
0,6	314

Electrical data @ 25 $^{\circ}$ C

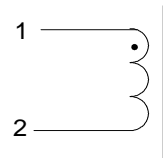


PN : 77452SNV

Mechanical dimensions



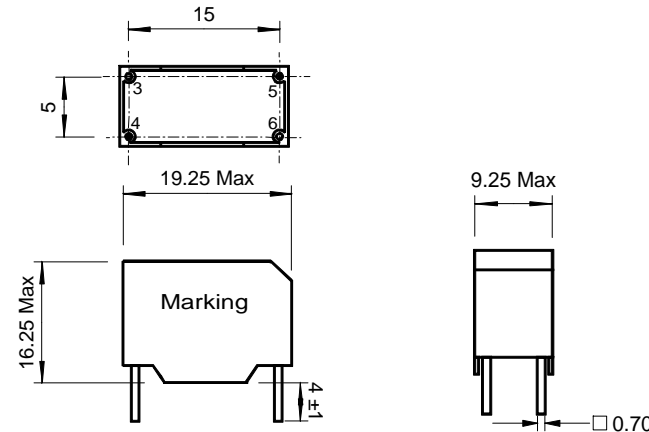
Schematic



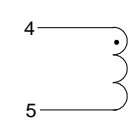
Inductance 1-2
Implantation in holes : 0.5 mm

PN : 77452BV

Mechanical dimensions



Schematic



Inductance 4-5
Blind pins 3-6
Implantation in holes : 1,3 mm