

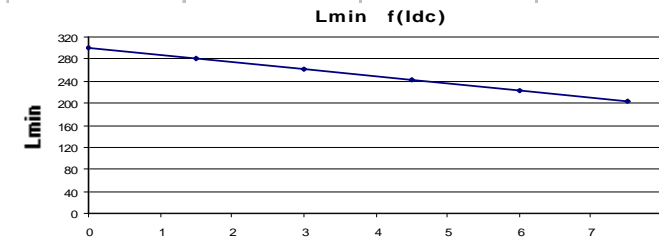
Resistance = 55m Ω max

Frequency kHz	Ripple Current	10% Δ I	20% Δ I	30% Δ I
25	Total losses mW	1750	2030	2670
	Δ T $^{\circ}$ C	16	18	22
	Total losses mW	1830	2550	4150
50	Δ T $^{\circ}$ C	16	21	32
	Total losses mW	1940	3170	
75	Δ T $^{\circ}$ C	17	25	
	Total losses mW	2050	3860	
100	Δ T $^{\circ}$ C	18	30	

Electrical data @ 25 $^{\circ}$ C

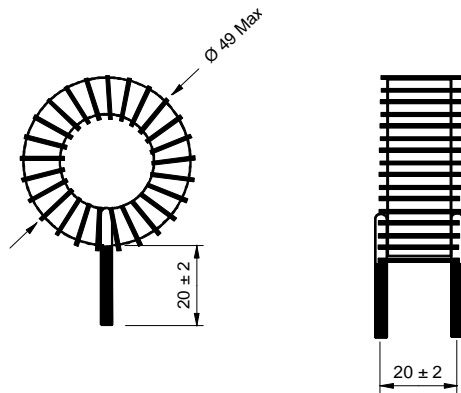
L f(Idc) Inductance Values

Idc (A)	Lmin (μ H)
0	299
1,5	281
3	260
4,5	241
6	222
7,5	202

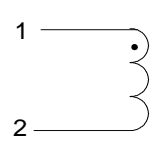


PN : 77414SNV

Mechanical dimensions



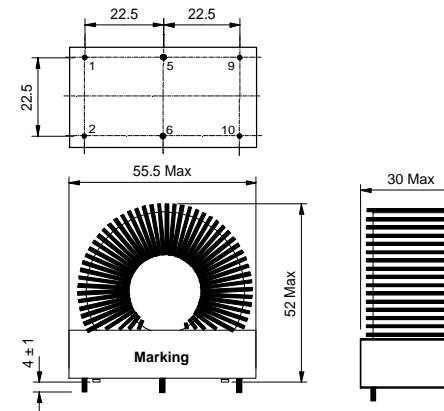
Schematic



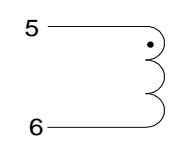
Inductance 1-2
Implantation in holes : 1,4 mm

PN : 77414EE

Mechanical dimensions



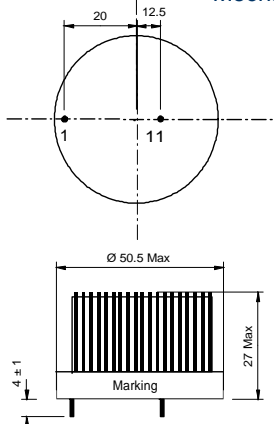
Schematic



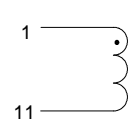
Inductance 4-5
Blind pins 1-2-9-10
5-6 Implantation in holes : 1,4 mm
1-2-9-10 Implantation in holes : 1,3 mm

PN : 77414BPC

Mechanical dimensions



Schematic



Inductance 1-11
Implantation in holes : 1,4 mm