

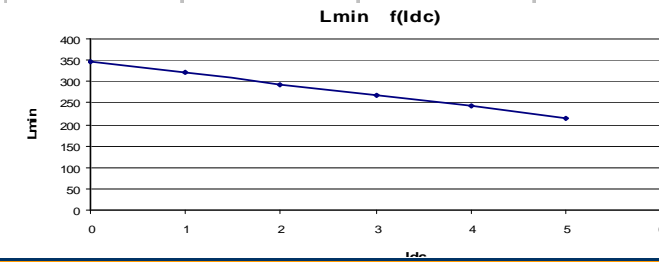
Resistance = 80mΩ max

Frequency kHz	Ripple Current	10%ΔI	20%ΔI	30%ΔI
25	Total losses mW	1050	1140	1360
	ΔT°C	18	20	23
50	Total losses mW	1080	1320	1850
	ΔT°C	19	22	29
75	Total losses mW	1110	1520	2430
	ΔT°C	19	25	37
100	Total losses mW	1150	1750	
	ΔT°C	20	28	

Electrical data @ 25°C

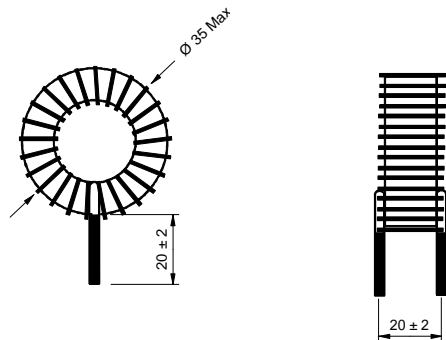
L f(I_{dc}) Inductance Values

I _{dc} (A)	L _{min} (μH)
0	346
1	320
2	294
3	268
4	242
5	216

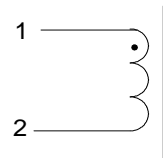


PN : 77412SNV

Mechanical dimensions



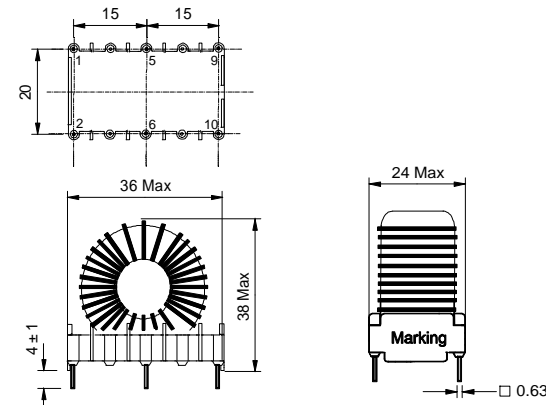
Schematic



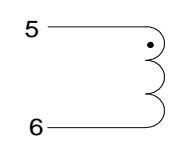
Inductance 1-2
Implantation in holes : 1.3 mm

PN : 77412EE

Mechanical dimensions



Schematic



Inductance 5-6
Blind pins 1-2-9-10
Implantation in holes : 1,2 mm

[See Version BV](#)

[See Version BH](#)