

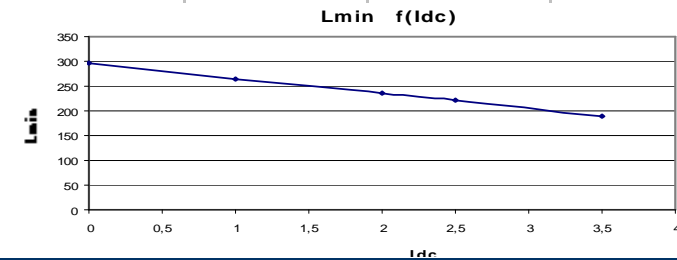
Resistance = 130mΩ max

Frequency kHz	Ripple Current	10%ΔI	20%ΔI	30%ΔI
25	Total losses mW	670	800	1100
	ΔT°C	18	21	27
50	Total losses mW	710	1040	1790
	ΔT°C	19	26	40
75	Total losses mW	750	1330	
	ΔT°C	20	31	
100	Total losses mW	810	1650	
	ΔT°C	21	38	

Electrical data @ 25°C

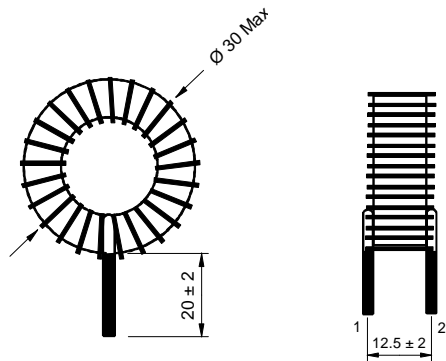
L f(Idc) Inductance Values

Idc (A)	Lmin (μH)
0	295
1	265
2	235
2,5	220
3,5	189

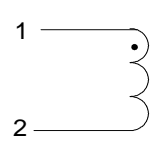


PN : 77410SNV

Mechanical dimensions



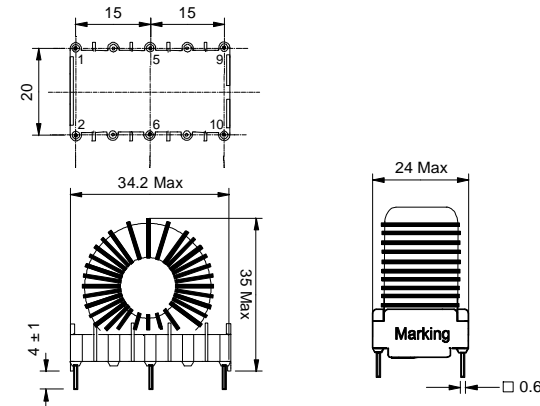
Schematic



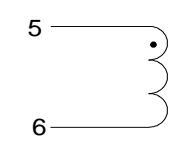
Inductance 1-2
Implantation in holes : 0.9 mm

PN : 77410EE

Mechanical dimensions



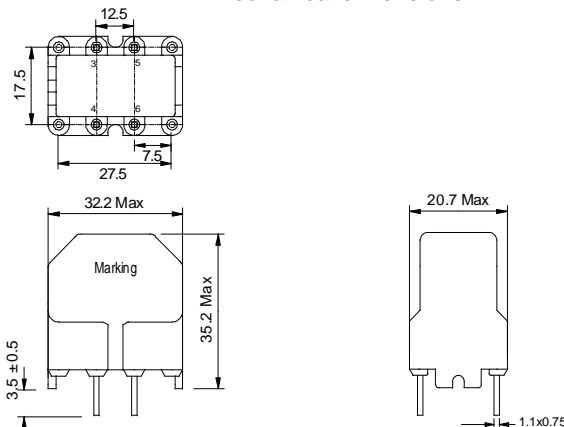
Schematic



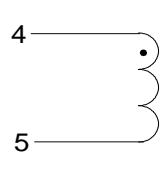
Inductance 5-6
Blind pins 1-2-9-10
Implantation in holes : 1,2 mm

PN : 77410BV

Mechanical dimensions



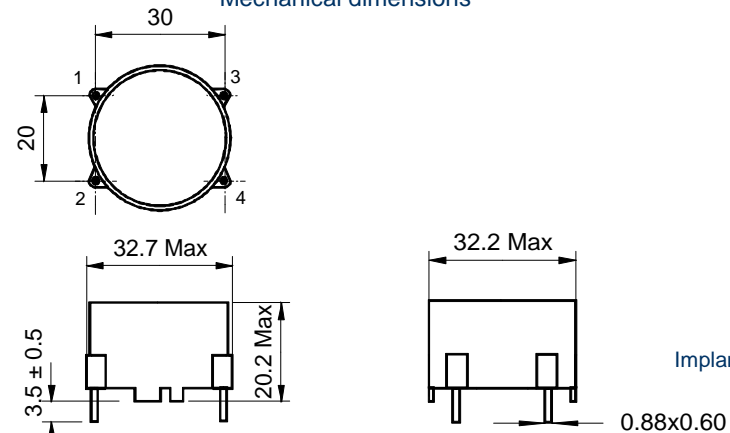
Schematic



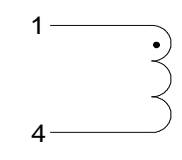
Inductance 4-5
Blind pins 3-6
Implantation in holes : 1,5 mm

PN : 77410BH

Mechanical dimensions



Schematic



Inductance 1-4
Blind pins 2-3
Implantation in holes : 1,3 mm