

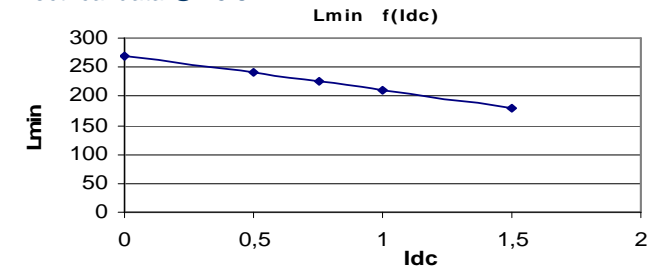
Resistance = 260mΩ max

Frequency kHz	Ripple Current	10%ΔI	20%ΔI	30%ΔI
25	Total losses mW	200	210	230
	ΔT°C	16	16	17
50	Total losses mW	210	220	270
	ΔT°C	16	17	20
75	Total losses mW	210	240	311
	ΔT°C	16	18	23
100	Total losses mW	210	260	260
	ΔT°C	16	19	26

Electrical data @ 25°C

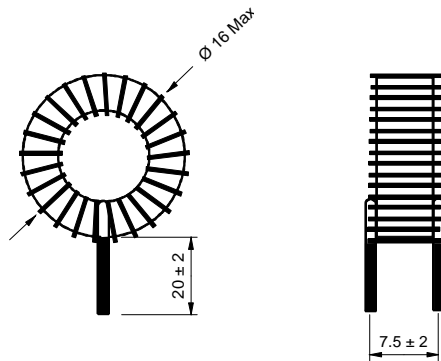
**L f(I<sub>dc</sub>) Inductance Values**

I <sub>dc</sub> (A)	L <sub>min</sub> (μH)
0	270
0,5	240
0,75	224
1	209
1,5	179

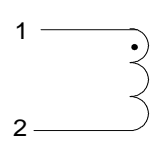


**PN : 77406SNV**

Mechanical dimensions



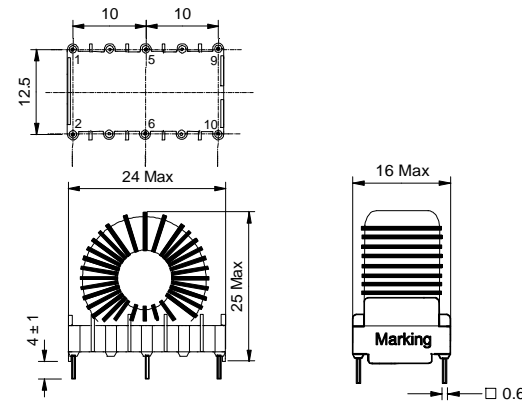
Schematic



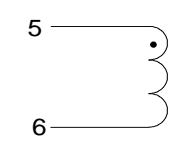
Inductance 1-2  
Implantation in holes : 0.7 mm

**PN : 77406EE**

Mechanical dimensions



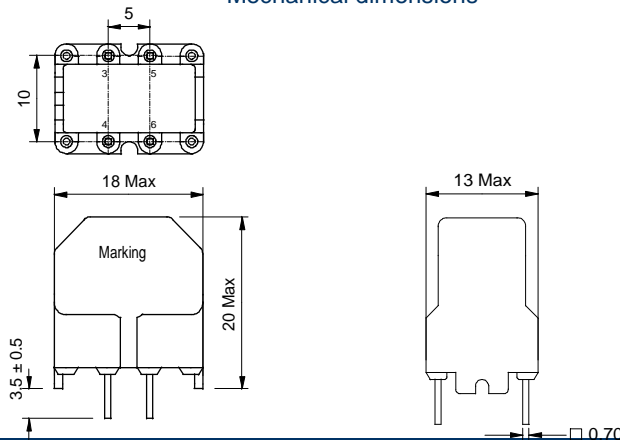
Schematic



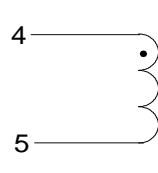
Inductance 5-6  
Blind pins 1-2-9-10  
Implantation in holes : 1,2 mm

**PN : 77406BV**

Mechanical dimensions



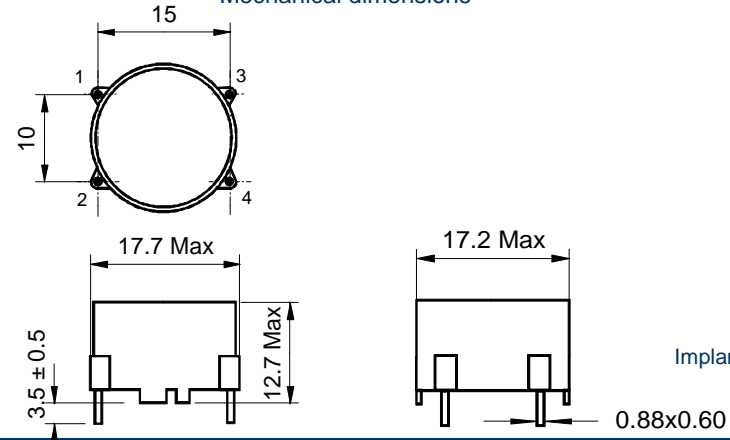
Schematic



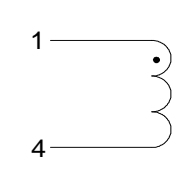
Inductance 4-5  
Blind pins 3-6  
Implantation in holes : 1,3 mm

**PN : 77406BH**

Mechanical dimensions



Schematic



Inductance 1-4  
Blind pins 2-3  
Implantation in holes : 1,3 mm