

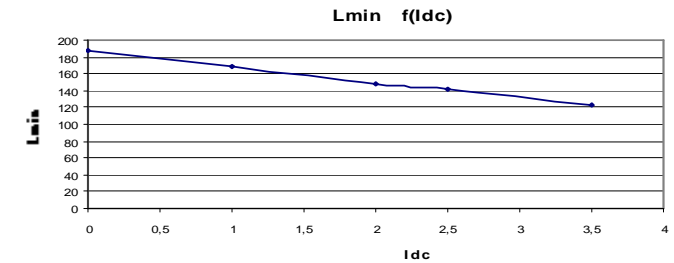
Resistance = 100mΩ max

Frequency kHz	Ripple Current	10%ΔI	20%ΔI	30%ΔI
25	Total losses mW	520	540	610
	ΔT°C	17	18	20
	Total losses mW	520	560	760
50	ΔT°C	18	20	24
	Total losses mW	530	660	930
75	ΔT°C	18	21	29
	Total losses mW	550	730	1130
100	ΔT°C	18	23	34

Electrical data @ 25°C

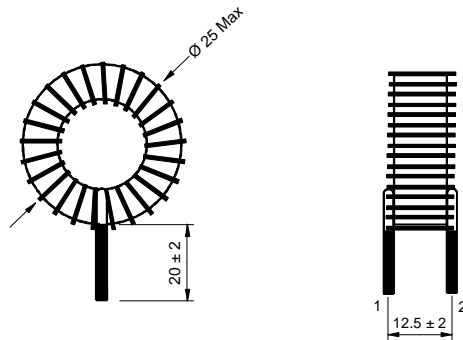
L f(I_{dc}) Inductance Values

I _{dc} (A)	L _{min} (μH)
0	187
1	168
2	149
2,5	141
3,5	122

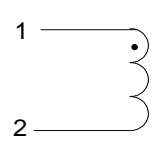


PN : 77360SNV

Mechanical dimensions



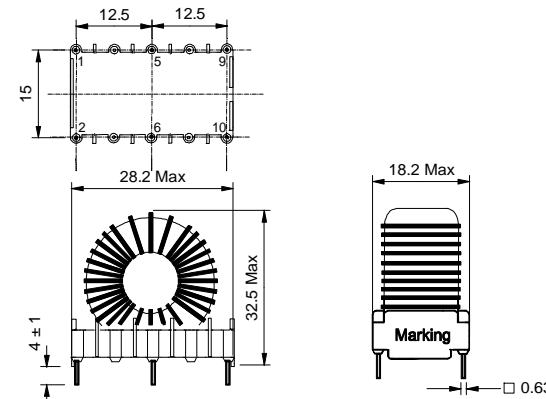
Schematic



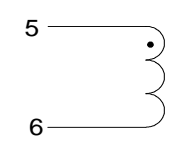
Inductance 1-2
Implantation in holes : 0.9 mm

PN : 77360EE

Mechanical dimensions



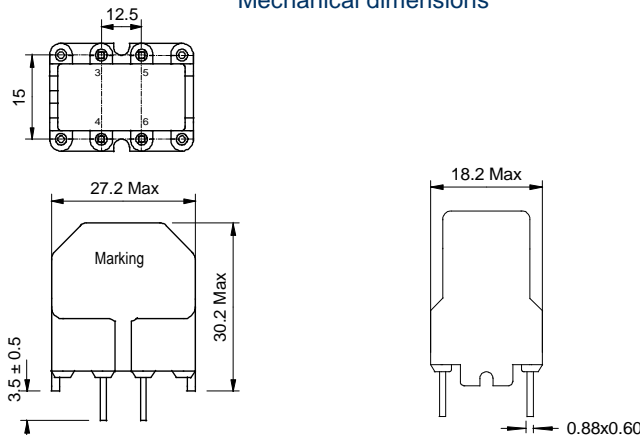
Schematic



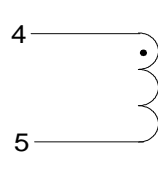
Inductance 5-6
Blind pins 1-2-9-10
Implantation in holes : 1,2 mm

PN : 77360BV

Mechanical dimensions



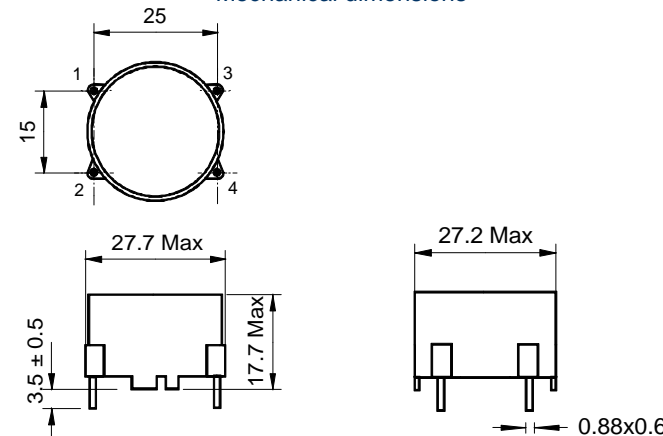
Schematic



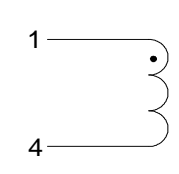
Inductance 4-5
Blind pins 3-6
Implantation in holes : 1,3 mm

PN : 77360BH

Mechanical dimensions



Schematic



Inductance 1-4
Blind pins 2-3
Implantation in holes : 1,3 mm