

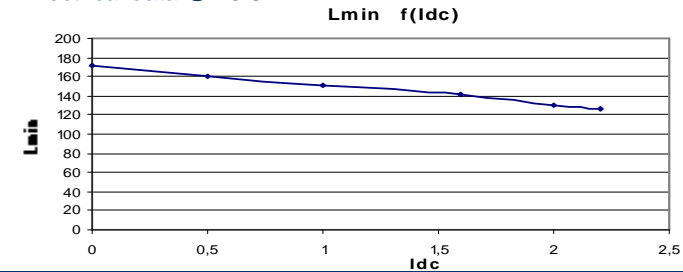
Resistance = 140 mΩ max

Frequency kHz	Ripple Current	10%ΔI	20%ΔI	30%ΔI
25	Total losses mW	290	300	330
	ΔT°C	14	14	15
	Total losses mW	300	320	390
50	ΔT°C	14	15	18
	Total losses mW	300	350	460
75	ΔT°C	14	16	20
	Total losses mW	300	380	540
100	ΔT°C	14	17	23

Electrical data @ 25°C

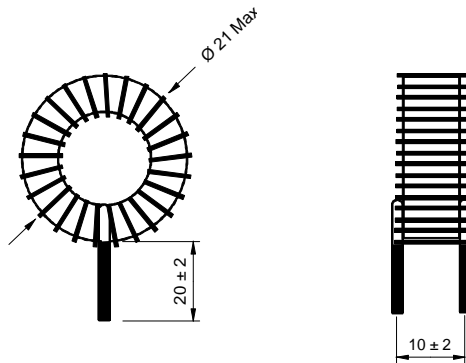
L f(Idc) Inductance Values

Idc (A)	Lmin (μH)
0	172
0,5	161
1	151
1,6	141
2	130
2,2	126

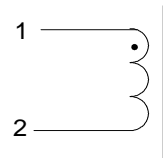


PN : 77358SNV

Mechanical dimensions



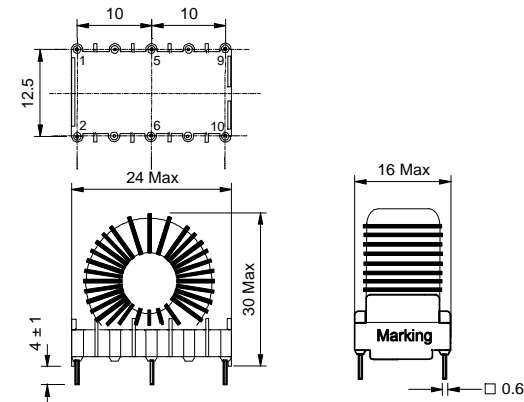
Schematic



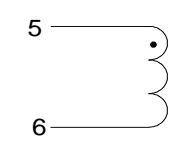
Inductance 1-2
Implantation in holes : 0.8 mm

PN : 77358EE

Mechanical dimensions



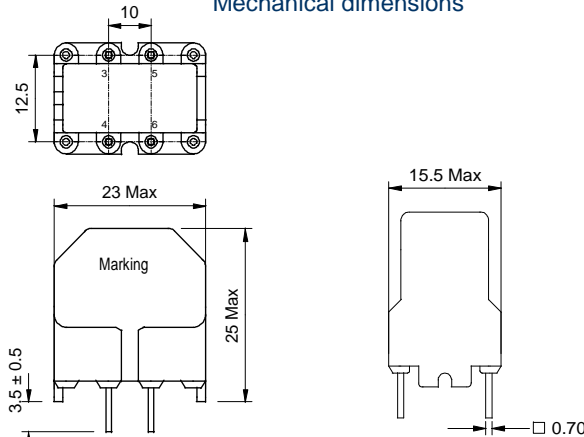
Schematic



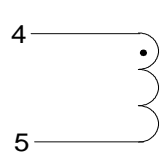
Inductance 5-6
Blind pins 1-2-9-10
Implantation in holes : 1,2 mm

PN : 77358BV

Mechanical dimensions



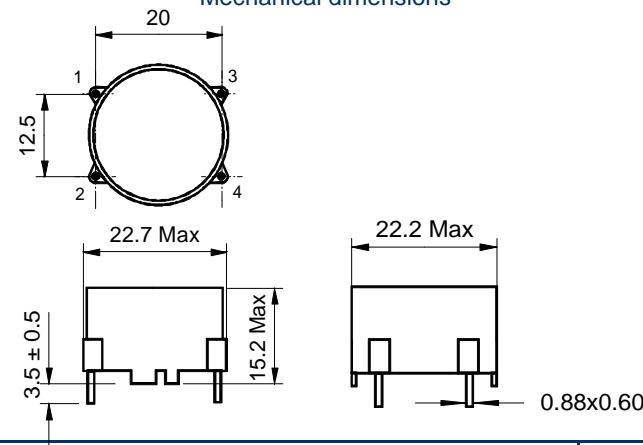
Schematic



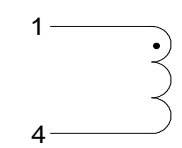
Inductance 4-5
Blind pins 3-6
Implantation in holes : 1,3 mm

PN : 77358BH

Mechanical dimensions



Schematic



Inductance 1-4
Blind pins 2-3
Implantation in holes : 1,3 mm