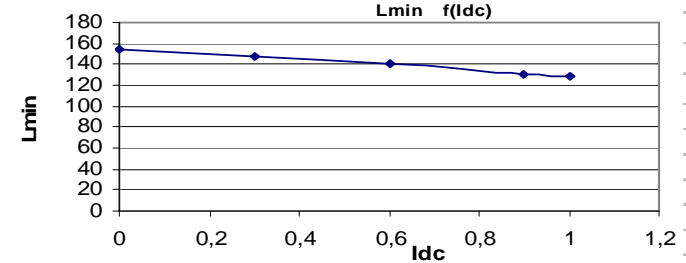


Resistance = 320mΩ max

Frequency kHz	Ripple Current	10%ΔI	20%ΔI	30%ΔI
25	Total losses mW	100	100	100
	ΔT°C	9	9	9
50	Total losses mW	100	100	110
	ΔT°C	9	9	9
75	Total losses mW	100	110	120
	ΔT°C	9	9	10
100	Total losses mW	100	110	130
	ΔT°C	9	9	11

Electrical data @ 25°C

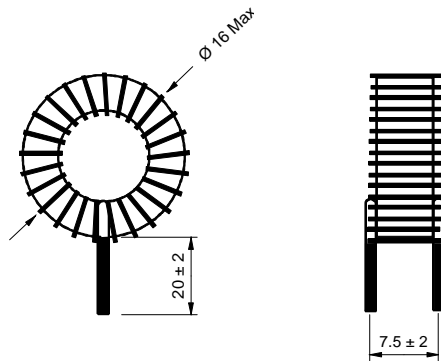


L f(Idc) Inductance Values

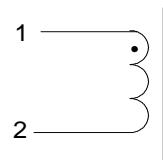
Idc (A)	Lmin (µH)
0	155
0,3	147
0,6	141
0,9	131
1	128

**PN : 77354SNV**

Mechanical dimensions



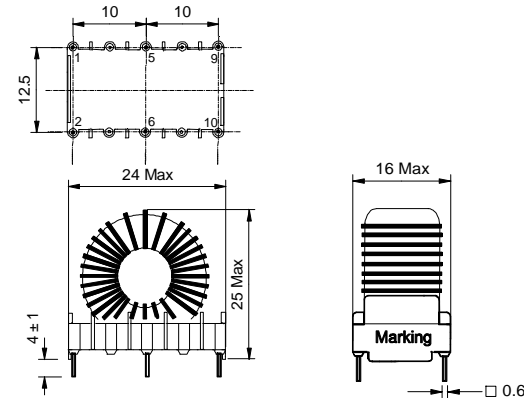
Schematic



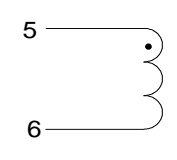
Inductance 1-2  
Implantation in holes : 0.6 mm

**PN : 77354EE**

Mechanical dimensions



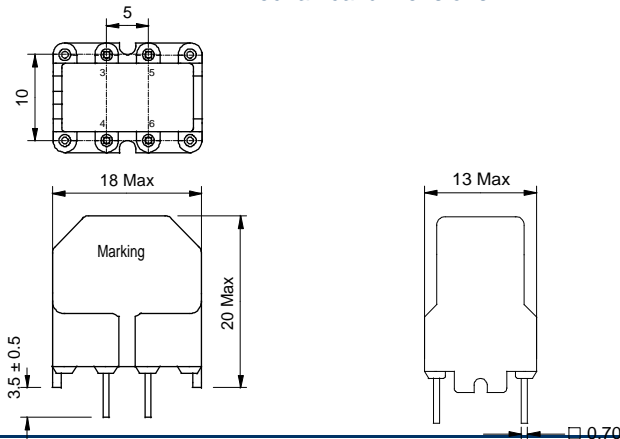
Schematic



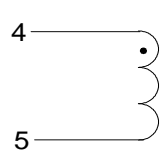
Inductance 5-6  
Blind pins 1-2-9-10  
Implantation in holes : 1,2 mm

**PN : 77354BV**

Mechanical dimensions



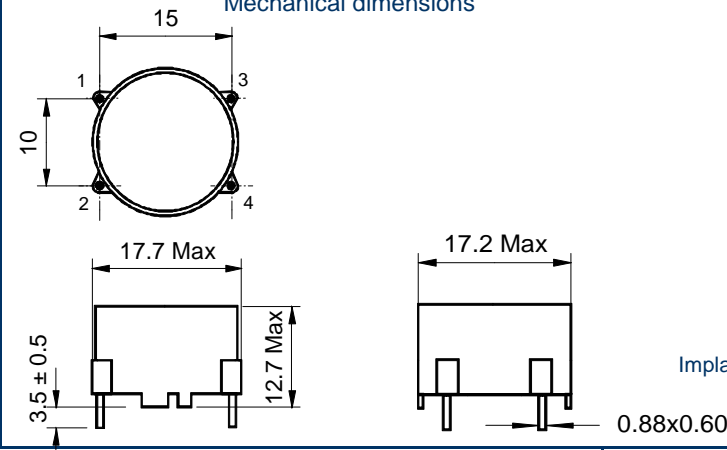
Schematic



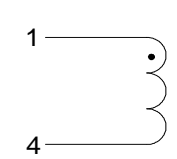
Inductance 4-5  
Blind pins 3-6  
Implantation in holes : 1,3 mm

**PN : 77354BH**

Mechanical dimensions



Schematic



Inductance 1-4  
Blind pins 2-3  
Implantation in holes : 1,3 mm