

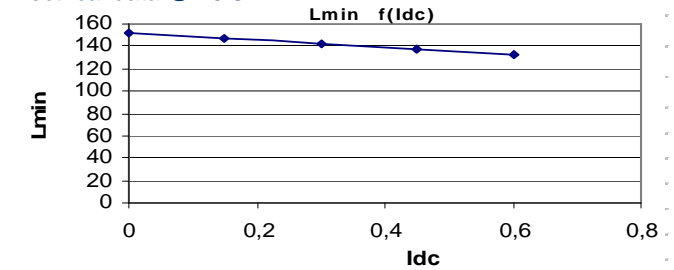
Resistance = 580m Ω max

Frequency kHz	Ripple Current	10% Δ I	20% Δ I	30% Δ I
		0,03	0,06	0,09
25	Total losses mW	40	40	40
	$\Delta T^{\circ}C$	6	6	6
50	Total losses mW	40	40	40
	$\Delta T^{\circ}C$	6	6	7
75	Total losses mW	40	40	40
	$\Delta T^{\circ}C$	6	6	7
100	Total losses mW	40	40	50
	$\Delta T^{\circ}C$	6	6	7

L f(Idc) Inductance Values

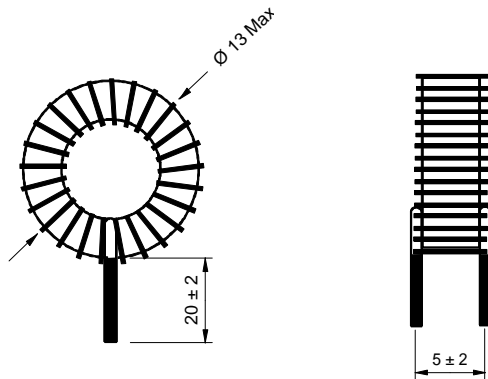
Idc (A)	Lmin (μ H)
0	151
0,15	147
0,3	142
0,45	137
0,6	133

Electrical data @ 25 $^{\circ}C$

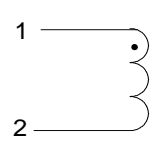


PN : 77352SNV

Mechanical dimensions



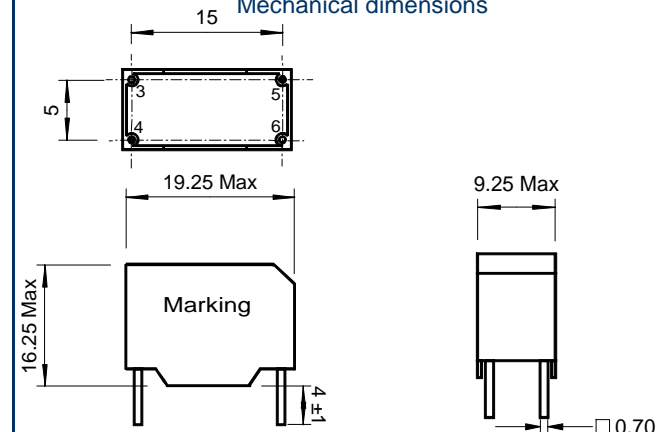
Schematic



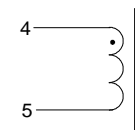
Inductance 1-2
Implantation in holes : 0.5 mm

PN : 77352BV

Mechanical dimensions



Schematic



Inductance 4-5
Blind pins 3-6
Implantation in holes : 1,3 mm