

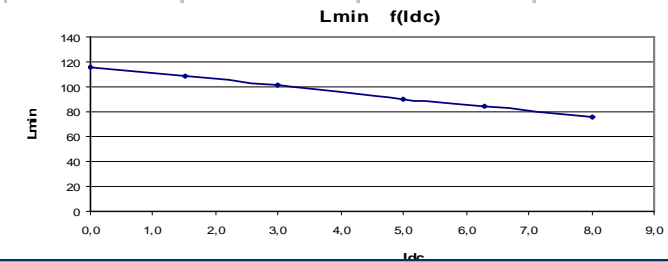
Resistance = 30m Ω max

Frequency kHz	Ripple Current	10% Δ I	20% Δ I	30% Δ I
25	Total losses mW	870	990	1250
	Δ T $^{\circ}$ C	16	17	21
50	Total losses mW	910	1200	1860
	Δ T $^{\circ}$ C	16	21	30
75	Total losses mW	950	1460	2590
	Δ T $^{\circ}$ C	17	24	39
100	Total losses mW	1000	1740	
	Δ T $^{\circ}$ C	18	28	

Electrical data @ 25 $^{\circ}$ C

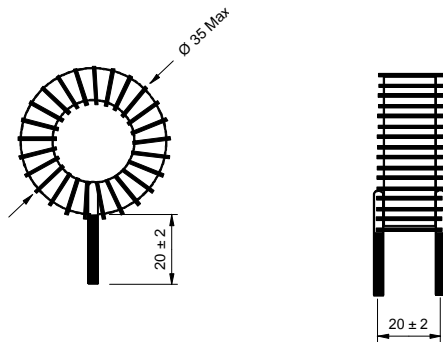
L f(Idc) Inductance Values

Idc (A)	Lmin (μ H)
0	116
1,5	109
3	101
5	91
6,3	84
8	76

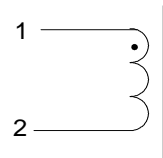


PN : 77314SNV

Mechanical dimensions



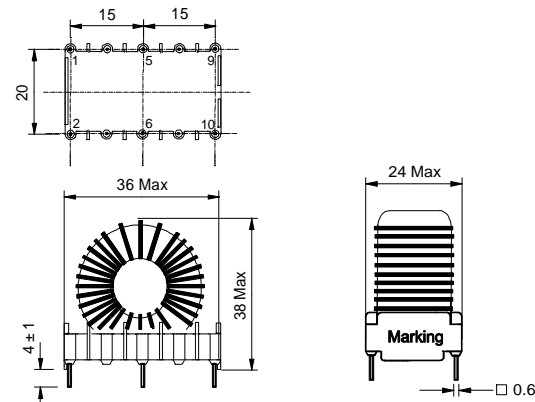
Schematic



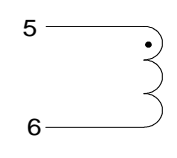
Inductance 1-2
Implantation in holes : 1,3 mm

PN : 77314EE

Mechanical dimensions



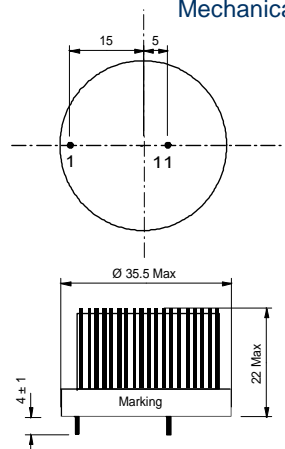
Schematic



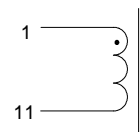
Inductance 4-5
Blind pins 1-2-9-10
5-6 Implantation in holes : 1,4 mm
1-2-9-10 Implantation in holes : 1,2 mm

PN : 77314BPC

Mechanical dimensions



Schematic



Inductance 1-11
Implantation in holes : 1,4 mm