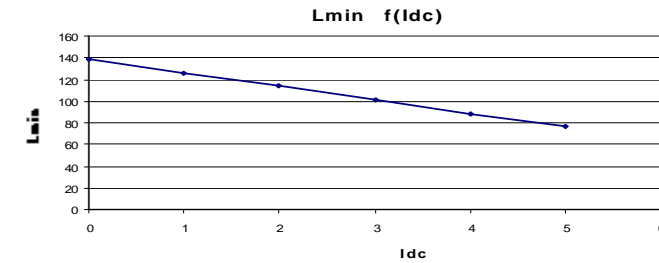


Resistance = 40m Ω max		10% Δ I	20% Δ I	30% Δ I
25	Frequency kHz			
	Ripple Current	0,4	0,8	1,2
50	Total losses mW	550	590	690
	$\Delta T^{\circ}C$	19	20	22
75	Total losses mW	560	670	910
	$\Delta T^{\circ}C$	19	22	28
100	Total losses mW	580	760	1170
	$\Delta T^{\circ}C$	19	24	35
	Total losses mW	590	860	
	$\Delta T^{\circ}C$	20	27	

L f(Idc) Inductance Values

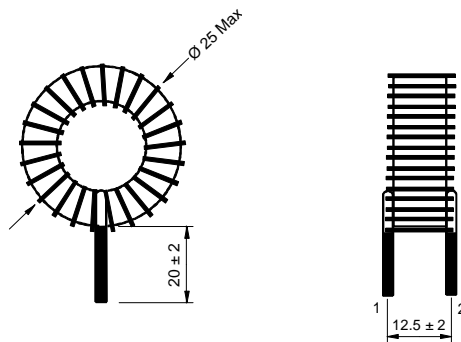
Idc (A)	Lmin (μ H)
0	138
1	126
2	114
3	101
4	89
5	77

Electrical data @ 25 $^{\circ}C$

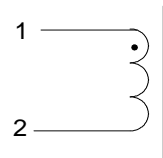


PN : 77312SNV

Mechanical dimensions



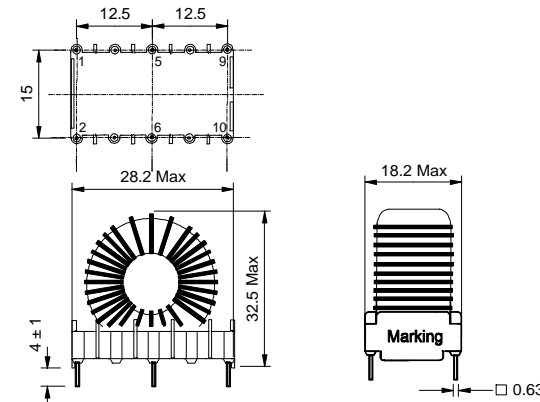
Schematic



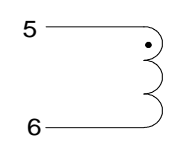
Inductance 1-2
Implantation in holes : 1.2 mm

PN : 77312EE

Mechanical dimensions



Schematic



Inductance 5-6
Blind pins 1-2-9-10
Implantation in holes : 1,2 mm

[See Version BV](#)

[See Version BH](#)