

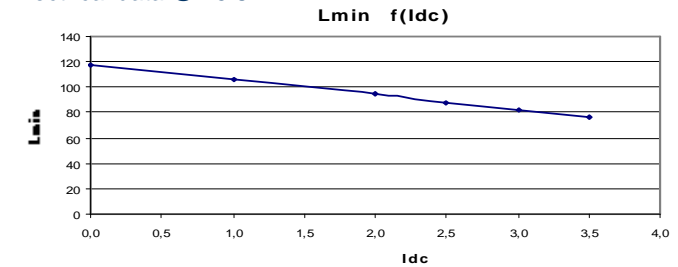
Resistance = 70 mΩ max

Frequency kHz	Ripple Current	10%ΔI	20%ΔI	30%ΔI
25	Total losses mW	370	390	430
	ΔT°C	17	18	19
	Total losses mW	380	420	520
50	ΔT°C	17	19	23
	Total losses mW	390	460	630
75	ΔT°C	18	20	26
	Total losses mW	390	500	750
100	ΔT°C	18	22	31

Electrical data @ 25°C

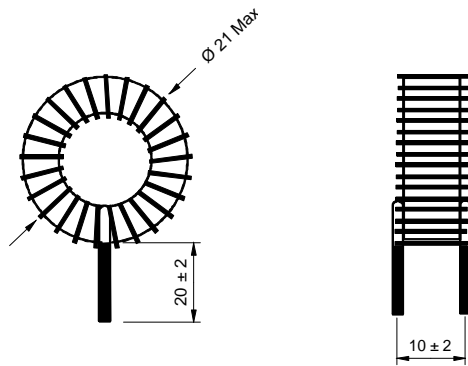
L f(Idc) Inductance Values

Idc (A)	Lmin (µH)
0	117
1	106
2	94
2,5	88
3	82
3,5	76

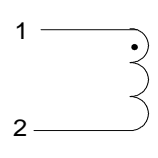


PN : 77310SNV

Mechanical dimensions



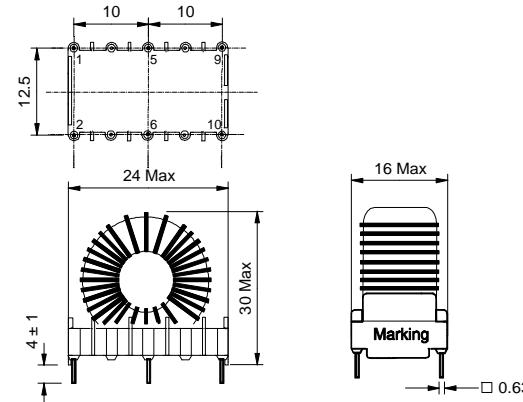
Schematic



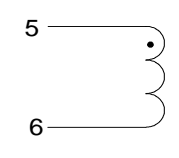
Inductance 1-2
Implantation in holes : 0.9 mm

PN : 77310EE

Mechanical dimensions



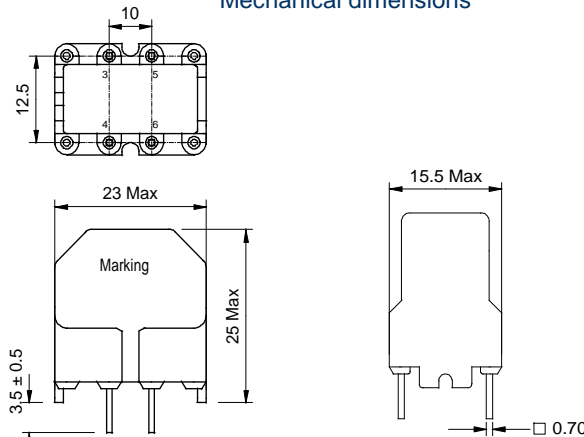
Schematic



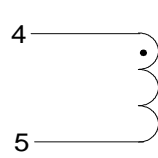
Inductance 5-6
Blind pins 1-2-9-10
Implantation in holes : 1,2 mm

PN : 77310BV

Mechanical dimensions



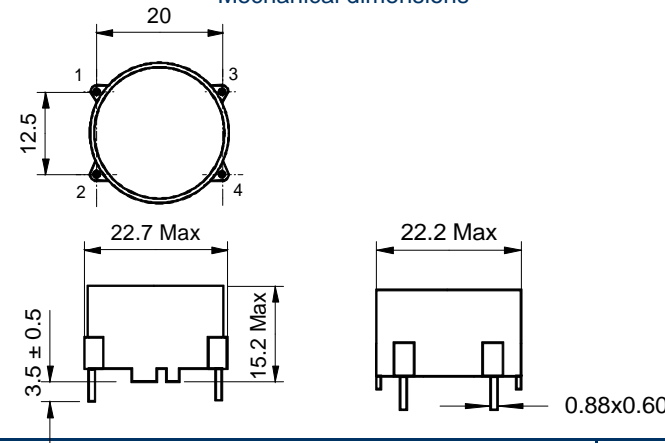
Schematic



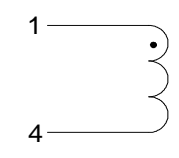
Inductance 4-5
Blind pins 3-6
Implantation in holes : 1,3 mm

PN : 77310BH

Mechanical dimensions



Schematic



Inductance 1-4
Blind pins 2-3
Implantation in holes : 1,3 mm