

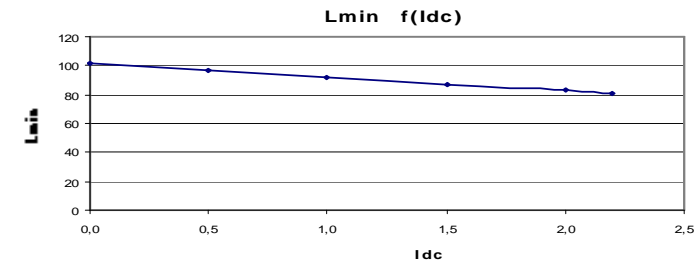
Resistance = 100 mΩ max

Frequency kHz	Ripple Current	10%ΔI	20%ΔI	30%ΔI
25	Total losses mW	220	230	240
	ΔT°C	11	11	12
50	Total losses mW	220	240	280
	ΔT°C	11	12	14
75	Total losses mW	230	250	320
	ΔT°C	11	13	15
100	Total losses mW	230	270	360
	ΔT°C	12	13	17

Electrical data @ 25°C

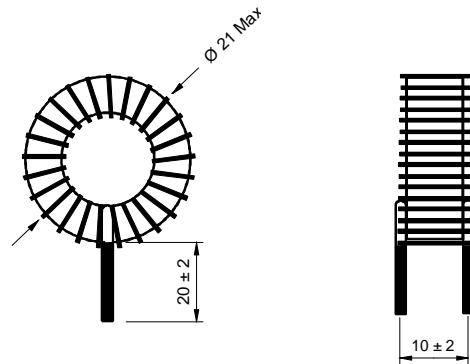
L f(I_{dc}) Inductance Values

I _{dc} (A)	L _{min} (μH)
0	101
0,5	97
1	92
1,5	87
2	83
2,2	81

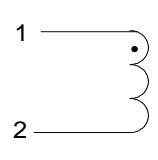


PN : 77308SNV

Mechanical dimensions



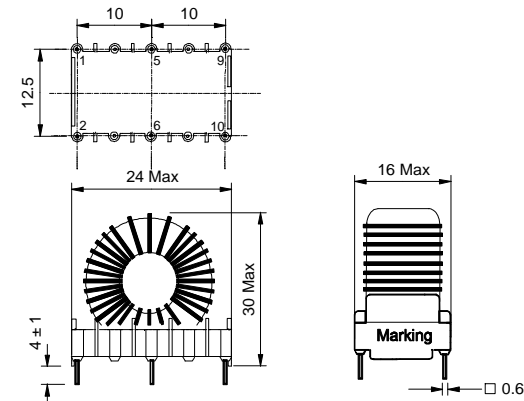
Schematic



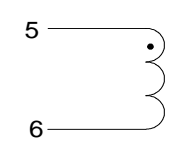
Inductance 1-2
Implantation in holes : 0.8 mm

PN : 77308EE

Mechanical dimensions



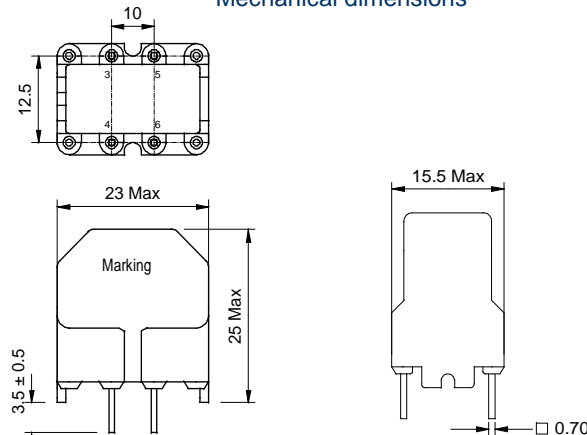
Schematic



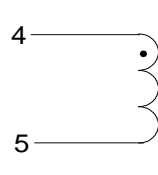
Inductance 5-6
Blind pins 1-2-9-10
Implantation in holes : 1,2 mm

PN : 77308BV

Mechanical dimensions



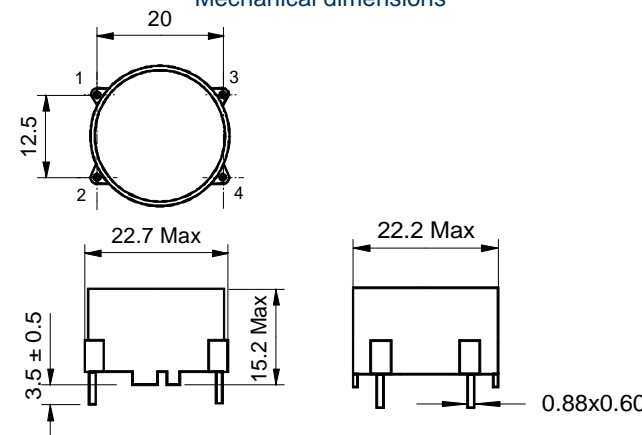
Schematic



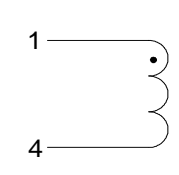
Inductance 4-5
Blind pins 3-6
Implantation in holes : 1,3 mm

PN : 77308BH

Mechanical dimensions



Schematic



Inductance 1-4
Blind pins 2-3
Implantation in holes : 1,3 mm