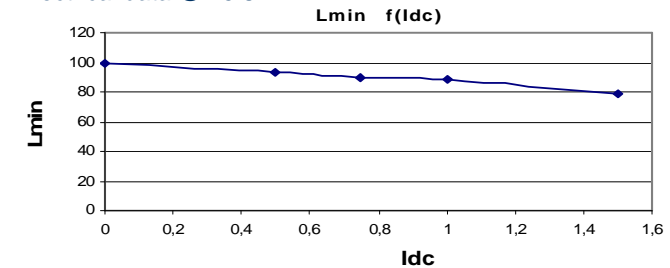


Resistance = 150mΩ max		10%ΔI	20%ΔI	30%ΔI
Frequency kHz	Ripple Current	0,1	0,2	0,3
	Total losses mW	120	120	130
25	ΔT°C	10	11	11
	Total losses mW	120	130	140
50	ΔT°C	10	11	12
	Total losses mW	120	130	160
75	ΔT°C	10	11	13
	Total losses mW	120	140	180
100	ΔT°C	11	12	14

L f(Idc) Inductance Values

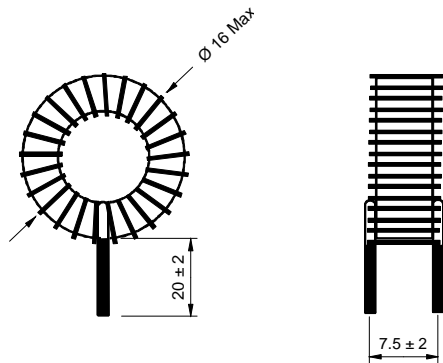
Idc (A)	Lmin (μH)
0	99
0,5	93
0,75	90
1	88
1,5	79

Electrical data @ 25°C

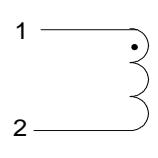


PN : 77306SNV

Mechanical dimensions



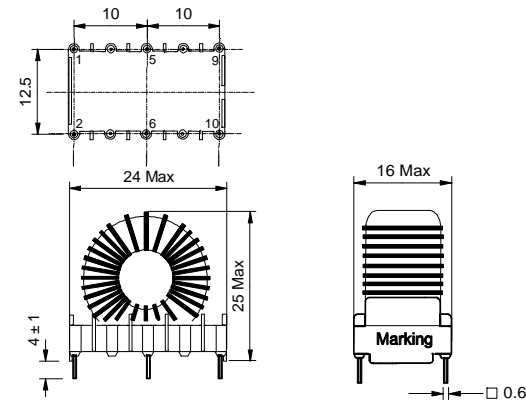
Schematic



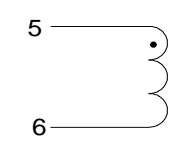
Inductance 1-2
Implantation in holes : 0.7 mm

PN : 77306EE

Mechanical dimensions



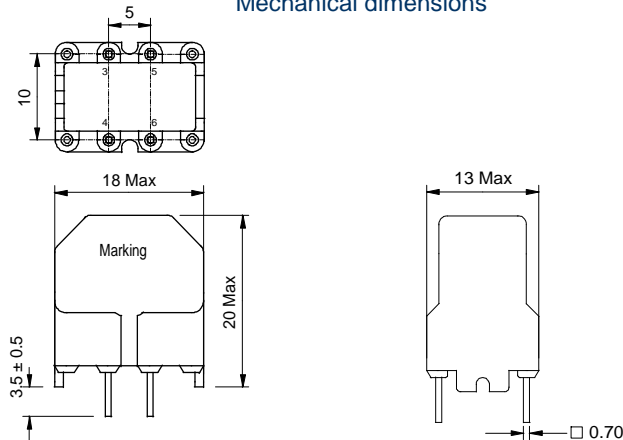
Schematic



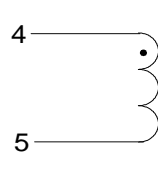
Inductance 5-6
Blind pins 1-2-9-10
Implantation in holes : 1,2 mm

PN : 77306BV

Mechanical dimensions



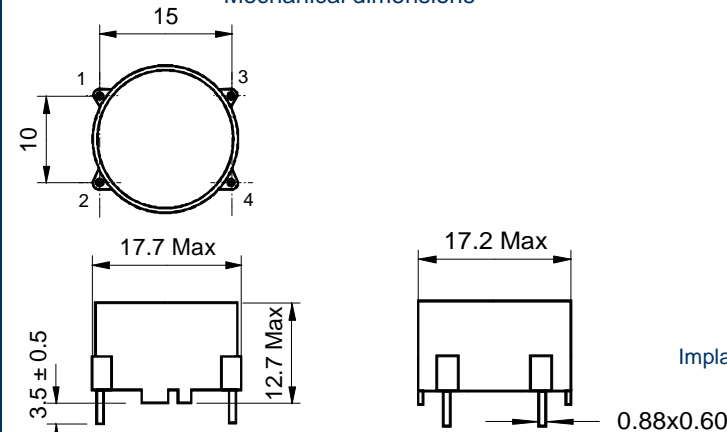
Schematic



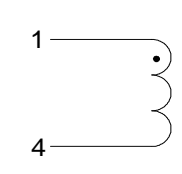
Inductance 4-5
Blind pins 3-6
Implantation in holes : 1,3 mm

PN : 77306BH

Mechanical dimensions



Schematic



Inductance 1-4
Blind pins 2-3
Implantation in holes : 1,3 mm