

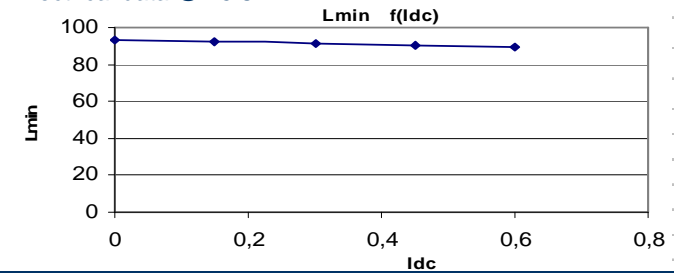
Resistance = 400mΩ max

Frequency kHz	Ripple Current	10%ΔI	20%ΔI	30%ΔI
25	Total losses mW	30	30	30
	ΔT°C	5	5	5
50	Total losses mW	30	30	30
	ΔT°C	5	5	5
75	Total losses mW	30	30	30
	ΔT°C	5	5	5
100	Total losses mW	30	30	30
	ΔT°C	5	5	6

L f(Idc) Inductance Values

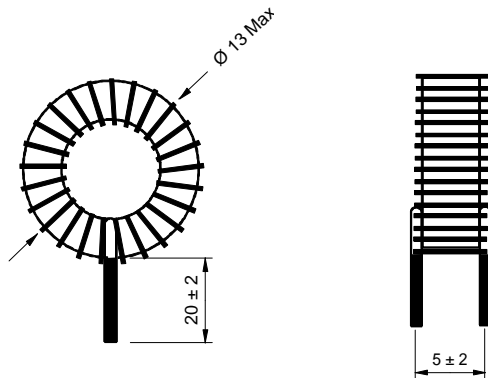
Idc (A)	Lmin (µH)
0	93,3
0,15	92,4
0,3	91,5
0,45	90,6
0,6	88,9

Electrical data @ 25°C

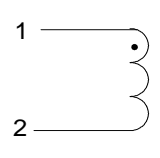


PN : 77302SNV

Mechanical dimensions



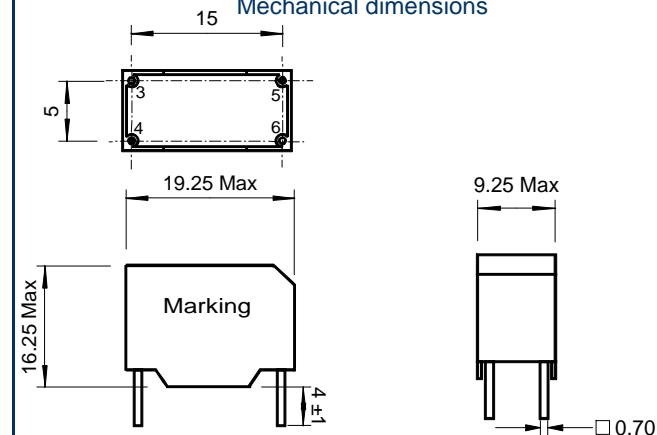
Schematic



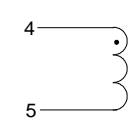
Inductance 1-2
Implantation in holes : 0.5 mm

PN : 77302BV

Mechanical dimensions



Schematic



Inductance 4-5
Blind pins 3-6
Implantation in holes : 1,3 mm