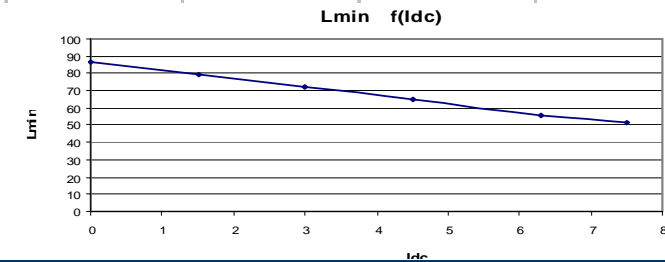


Resistance = 20mΩ max		10%ΔI	20%ΔI	30%ΔI
Frequency kHz	Ripple Current	0,63	1,26	1,89
	Total losses mW	730	930	1380
25	ΔT°C	19	23	33
	Total losses mW	790	1300	
50	ΔT°C	20	31	
	Total losses mW	860	1740	
75	ΔT°C	22	39	
	Total losses mW	950		
100	ΔT°C	24		

Electrical data @ 25°C

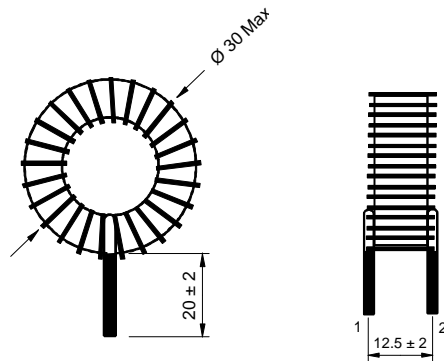
L f(Idc) Inductance Values

Idc (A)	Lmin (µH)
0	86
1,5	79
3	72
4,5	65
6,3	55
7,5	51

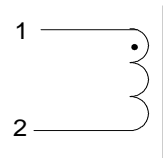


PN : 77264SNV

Mechanical dimensions



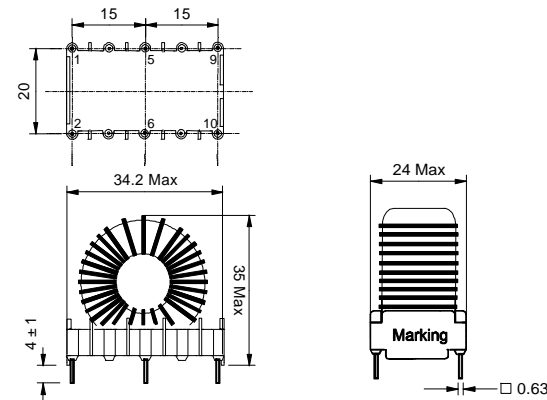
Schematic



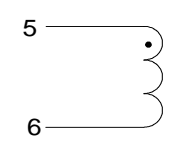
Inductance 1-2
Implantation in holes : 1,4 mm

PN : 77264EE

Mechanical dimensions



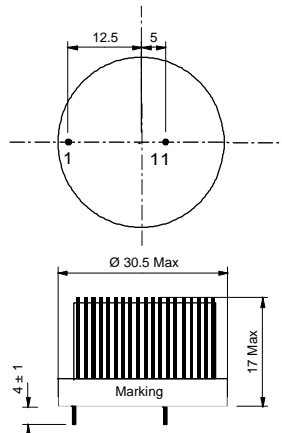
Schematic



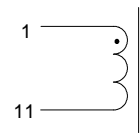
Inductance 4-5
Blind pins 1-2-9-10
5-6 Implantation in holes : 1,4 mm
1-2-9-10 Implantation in holes : 1,2 mm

PN : 77264BPC

Mechanical dimensions



Schematic



Inductance 1-11
Implantation in holes : 1,4 mm