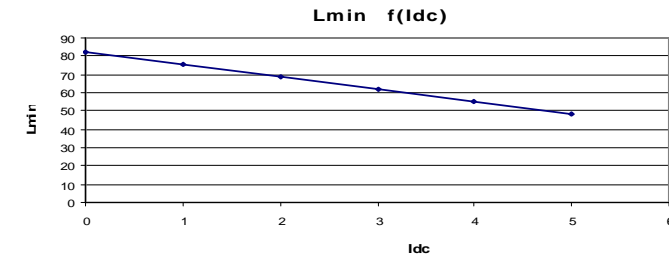


Resistance = 30mΩ max		10%ΔI	20%ΔI	30%ΔI
25	Frequency kHz			
	Ripple Current	0,4	0,8	1,2
50	Total losses mW	400	420	490
	ΔT°C	18	19	21
75	Total losses mW	400	480	640
	ΔT°C	18	21	27
100	Total losses mW	410	540	810
	ΔT°C	19	23	33
	Total losses mW	430	610	1010
	ΔT°C	19	26	39

L f(Idc) Inductance Values

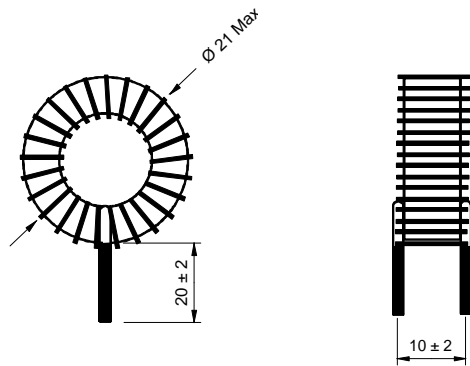
Idc (A)	Lmin (μH)
0	82
1	76
2	69
3	62
4	55
5	48

Electrical data @ 25°C

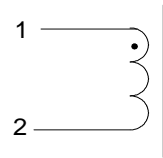


PN : 77262SNV

Mechanical dimensions



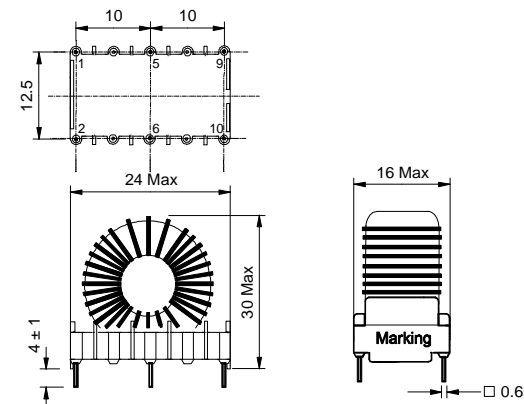
Schematic



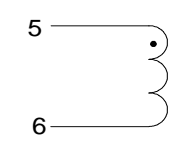
Inductance 1-2
Implantation in holes : 1.2 mm

PN : 77262EE

Mechanical dimensions



Schematic



Inductance 5-6
Blind pins 1-2-9-10
Implantation in holes : 1.2 mm

[See Version BV](#)

[See Version BH](#)