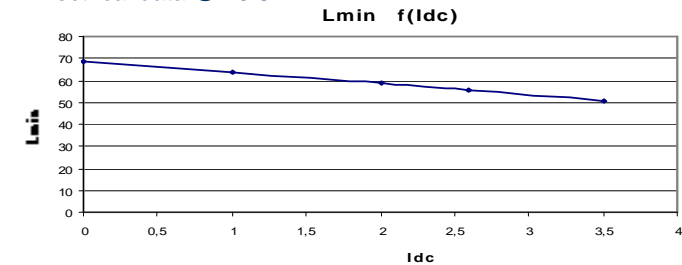


| Resistance = 55 mΩ max | | 10%ΔI | 20%ΔI | 30%ΔI |
|------------------------|-----------------|-------|-------|-------|
| Frequency kHz | Ripple Current | 0,25 | 0,5 | 0,75 |
| | Total losses mW | 280 | 290 | 320 |
| 25 | ΔT°C | 14 | 14 | 15 |
| | Total losses mW | 290 | 310 | 370 |
| 50 | ΔT°C | 14 | 15 | 17 |
| | Total losses mW | 290 | 330 | 440 |
| 75 | ΔT°C | 14 | 16 | 20 |
| | Total losses mW | 290 | 360 | 510 |
| 100 | ΔT°C | 14 | 17 | 22 |

L f(Idc) Inductance Values

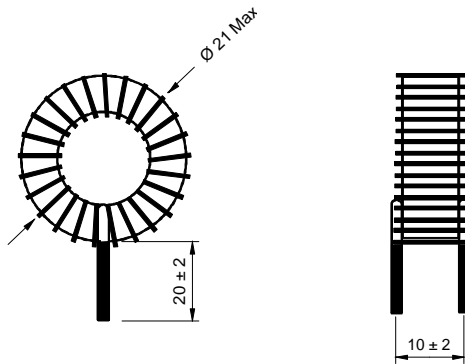
| Idc (A) | Lmin (μH) |
|---------|-----------|
| 0 | 69 |
| 1 | 64 |
| 2 | 59 |
| 2,6 | 55 |
| 3,5 | 51 |

Electrical data @ 25°C

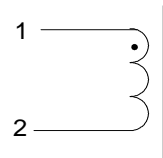


PN : 77260SNV

Mechanical dimensions



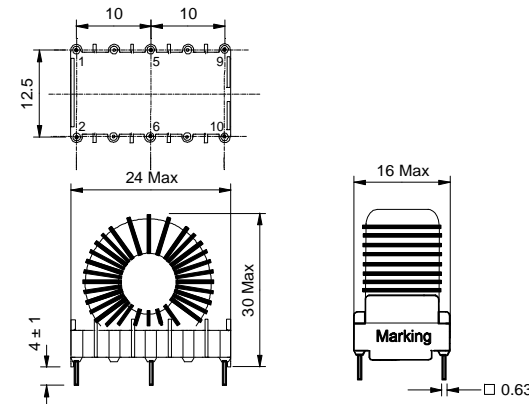
Schematic



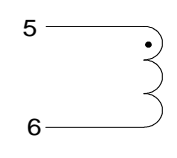
Inductance 1-2
Implantation in holes : 0.9 mm

PN : 77260EE

Mechanical dimensions



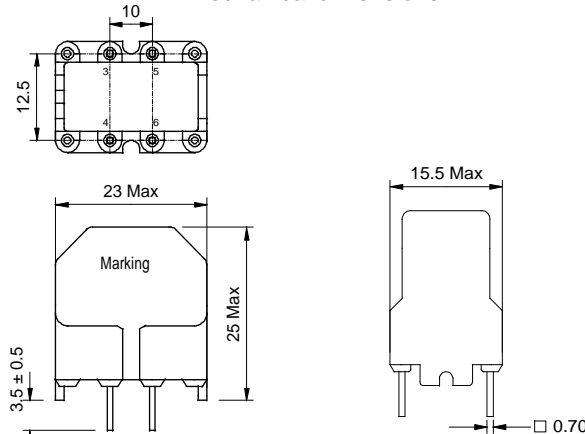
Schematic



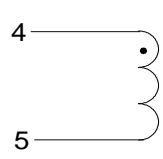
Inductance 5-6
Blind pins 1-2-9-10
Implantation in holes : 1,2 mm

PN : 77260BV

Mechanical dimensions



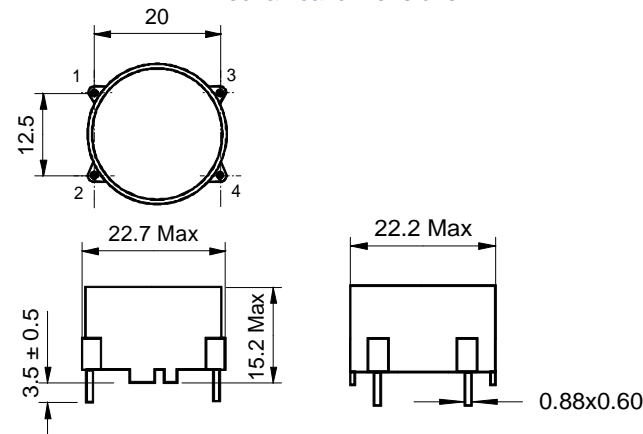
Schematic



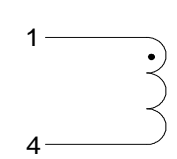
Inductance 4-5
Blind pins 3-6
Implantation in holes : 1,3 mm

PN : 77260BH

Mechanical dimensions



Schematic



Inductance 1-4
Blind pins 2-3
Implantation in holes : 1,3 mm