

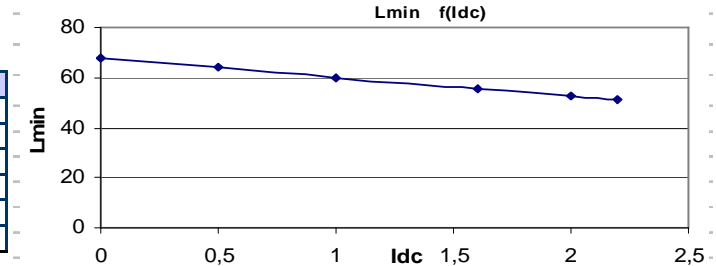
Resistance = 80mΩ max

Frequency kHz	Ripple Current	10%ΔI	20%ΔI	30%ΔI
25	Total losses mW	160	170	170
	ΔT°C	13	14	14
50	Total losses mW	160	170	200
	ΔT°C	13	14	16
75	Total losses mW	160	180	220
	ΔT°C	13	15	17
100	Total losses mW	170	190	250
	ΔT°C	14	15	19

L f(Idc) Inductance Values

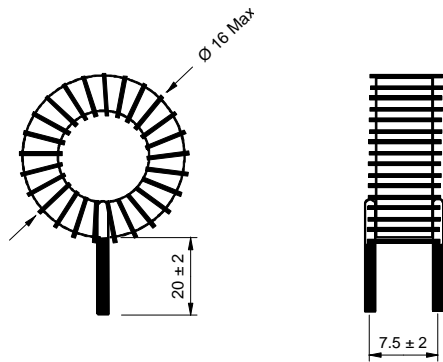
Idc (A)	Lmin (μH)
0	68
0,5	64
1	60
1,5	55
2	53
2,2	51

Electrical data @ 25°C

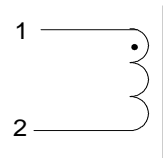


PN : 77258SNV

Mechanical dimensions



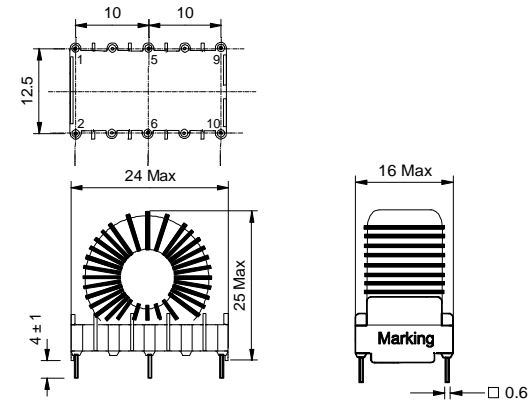
Schematic



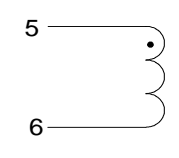
Inductance 1-2
Implantation in holes : 0.8 mm

PN : 77258EE

Mechanical dimensions



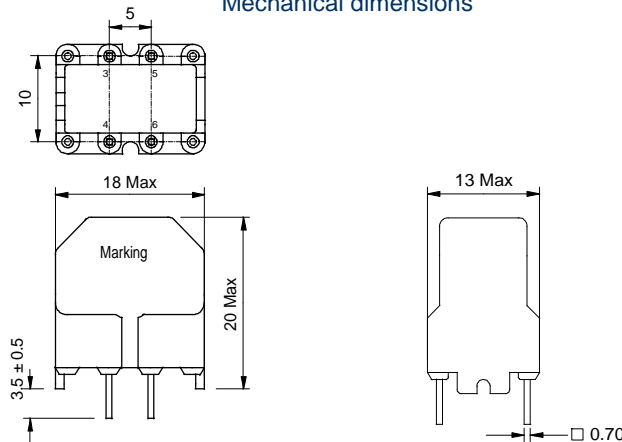
Schematic



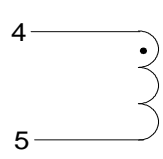
Inductance 5-6
Blind pins 1-2-9-10
Implantation in holes : 1,2 mm

PN : 77258BV

Mechanical dimensions



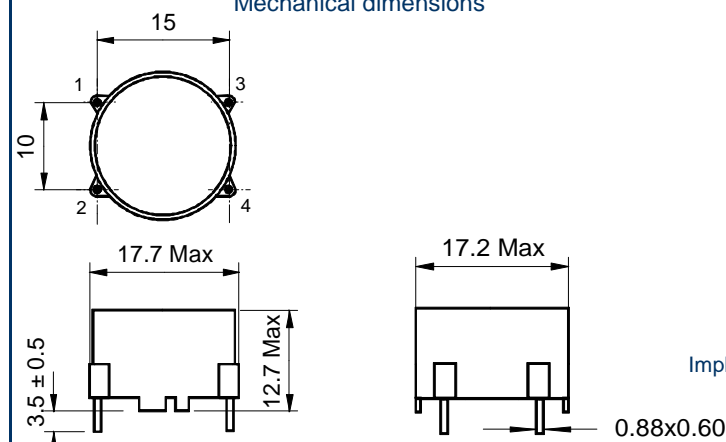
Schematic



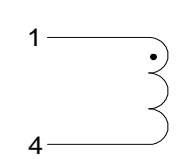
Inductance 4-5
Blind pins 3-6
Implantation in holes : 1,3 mm

PN : 77258BH

Mechanical dimensions



Schematic



Inductance 1-4
Blind pins 2-3
Implantation in holes : 1,3 mm