

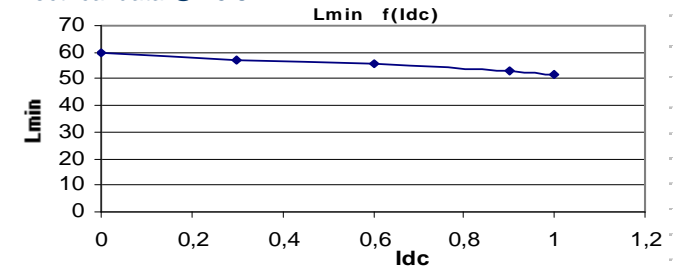
Resistance = 140mΩ max

Frequency kHz	Ripple Current	10%ΔI	20%ΔI	30%ΔI
25	Total losses mW	40	40	40
	ΔT°C	7	7	7
50	Total losses mW	40	40	40
	ΔT°C	7	7	7
75	Total losses mW	40	40	50
	ΔT°C	7	7	8
100	Total losses mW	40	40	50
	ΔT°C	7	7	8

**L f(Idc) Inductance Values**

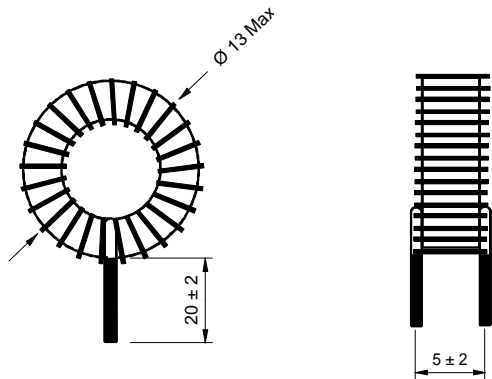
Idc (A)	Lmin (µH)
0	52,5
0,3	57,2
0,6	55,4
0,9	52,8
1	51,9

Electrical data @ 25°C

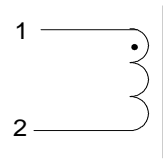


**PN : 77254SNV**

Mechanical dimensions



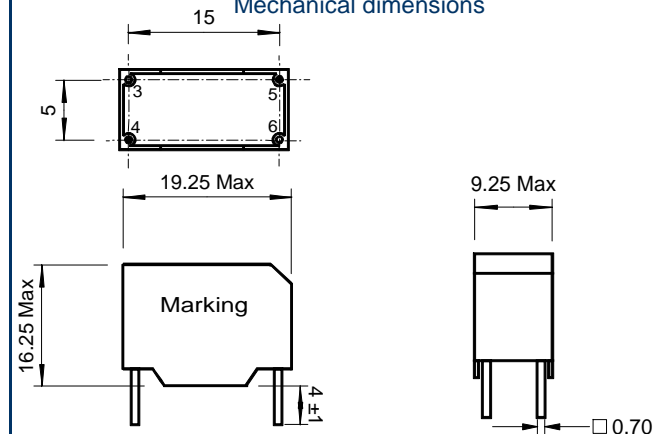
Schematic



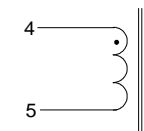
Inductance 1-2  
Implantation in holes : 0.6 mm

**PN : 77254BV**

Mechanical dimensions



Schematic



Inductance 4-5  
Blind pins 3-6  
Implantation in holes : 1,3 mm