

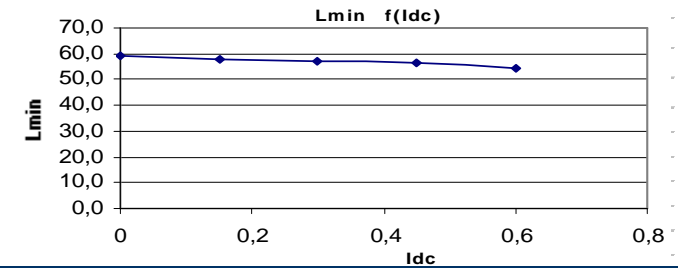
Resistance = 320mΩ max

Frequency kHz	Ripple Current	10%ΔI	20%ΔI	30%ΔI
25	Total losses mW	20	20	20
	ΔT°C	4	4	4
50	Total losses mW	20	20	20
	ΔT°C	4	4	4
75	Total losses mW	20	20	20
	ΔT°C	4	4	4
100	Total losses mW	20	20	20
	ΔT°C	4	4	4

**L f(Idc) Inductance Values**

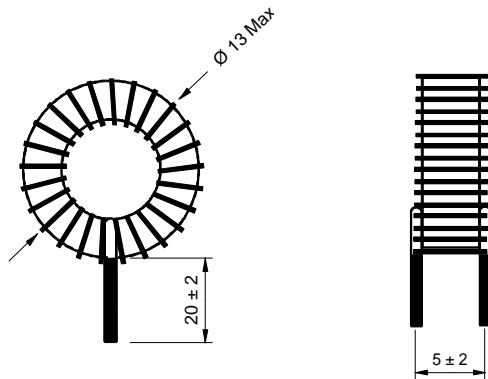
Idc (A)	Lmin (µH)
0	59
0,15	58,1
0,3	57,2
0,45	56,3
0,6	54,6

Electrical data @ 25°C

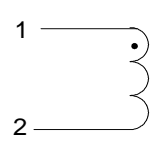


**PN : 77252SNV**

Mechanical dimensions



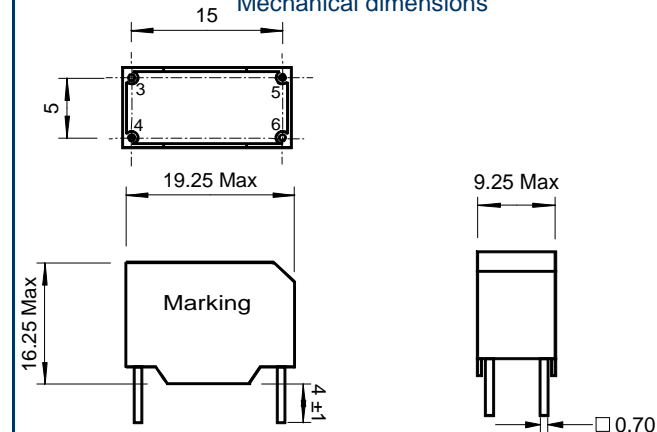
Schematic



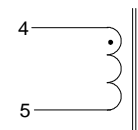
Inductance 1-2  
Implantation in holes : 0.5 mm

**PN : 77252BV**

Mechanical dimensions



Schematic



Inductance 4-5  
Blind pins 3-6  
Implantation in holes : 1,3 mm