

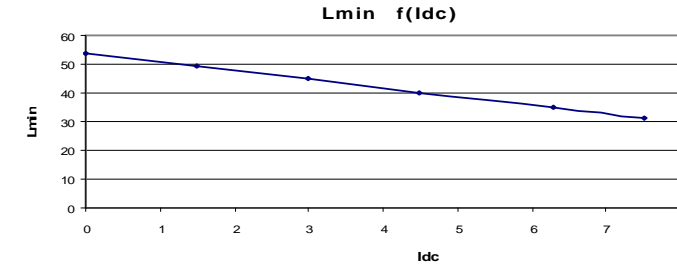
Resistance = 20mΩ max

Frequency kHz	Ripple Current	10%ΔI	20%ΔI	30%ΔI
25	Total losses mW	550	590	690
	ΔT°C	19	20	22
50	Total losses mW	560	670	920
	ΔT°C	19	22	28
75	Total losses mW	580	770	1180
	ΔT°C	19	24	35
100	Total losses mW	590	870	
	ΔT°C	20	27	

**L f(I<sub>dc</sub>) Inductance Values**

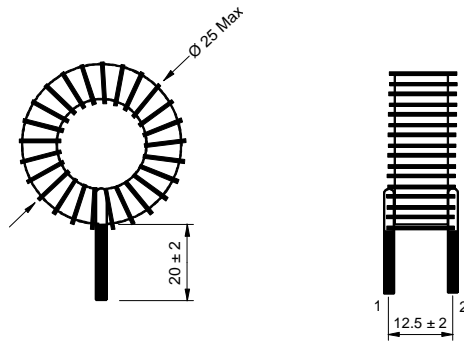
I <sub>dc</sub> (A)	L <sub>min</sub> (μH)
0	54
1,5	49
3	45
4,5	40
6,3	35
7,5	31

Electrical data @ 25°C

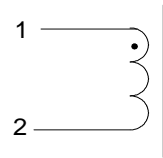


**PN : 77214SNV**

Mechanical dimensions



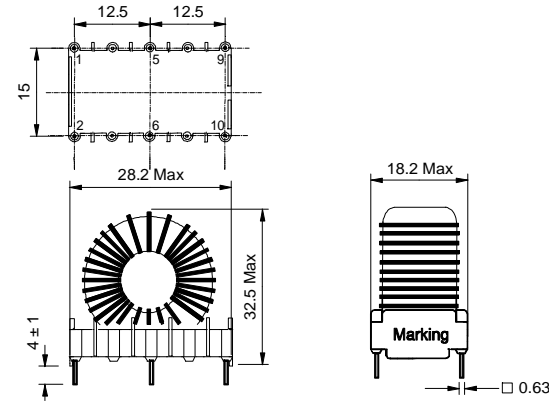
Schematic



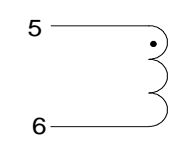
Inductance 1-2  
Implantation in holes : 1.4 mm

**PN : 77214EE**

Mechanical dimensions



Schematic



Inductance 5-6  
Blind pins 1-2-9-10  
5-6 Implantation in holes : 1,4 mm  
1-2-9-10 Implantation in holes : 1,2 mm

[See Version BV](#)

[See Version BH](#)