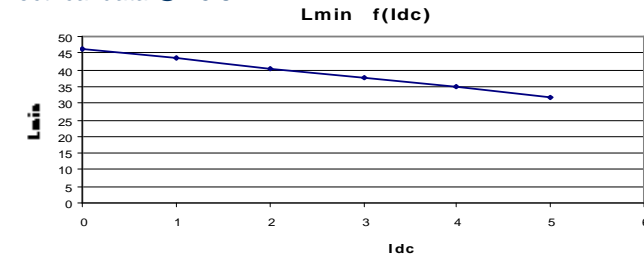


Resistance = 20 m Ω max		10% Δ I	20% Δ I	30% Δ I
25	Frequency kHz			
	Ripple Current	0,4	0,8	1,2
50	Total losses mW	290	310	350
	$\Delta T^{\circ}C$	14	15	16
75	Total losses mW	300	350	450
	$\Delta T^{\circ}C$	14	16	20
100	Total losses mW	310	390	560
	$\Delta T^{\circ}C$	15	18	24
	Total losses mW	310	430	690
	$\Delta T^{\circ}C$	15	19	29

L f(Idc) Inductance Values

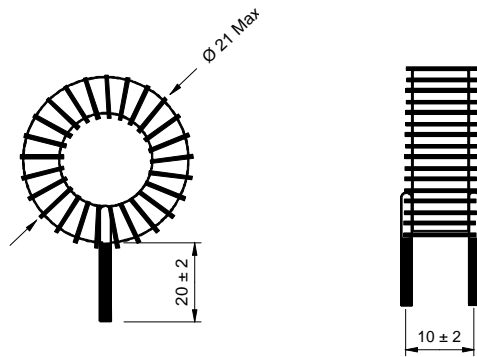
Idc (A)	Lmin (μ H)
0	46
1	43
2	40
3	38
4	35
5	32

Electrical data @ 25 $^{\circ}C$

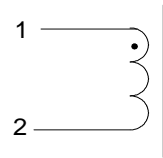


PN : 77212SNV

Mechanical dimensions



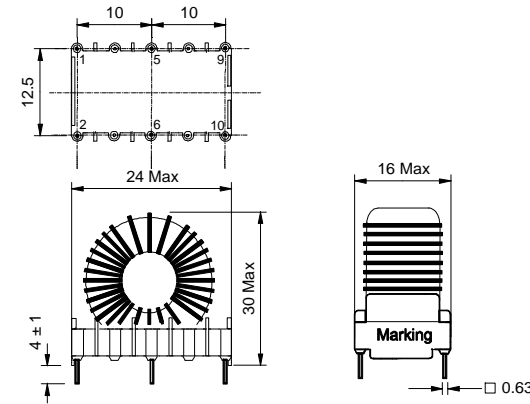
Schematic



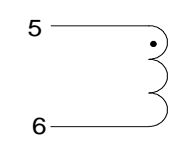
Inductance 1-2
Implantation in holes : 1.2 mm

PN : 77212EE

Mechanical dimensions



Schematic



Inductance 5-6
Blind pins 1-2-9-10
Implantation in holes : 1,2 mm

[See Version BV](#)

[See Version BH](#)