

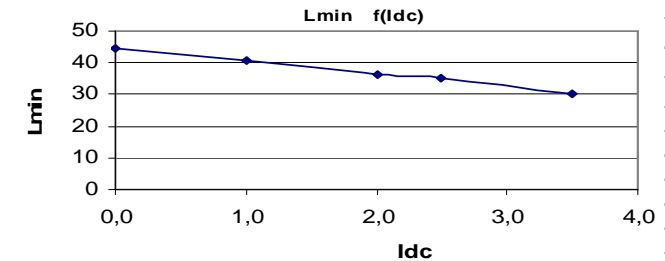
Resistance = 40mΩ max

Frequency kHz	Ripple Current	10%ΔI	20%ΔI	30%ΔI
25	Total losses mW	200	210	220
	ΔT°C	16	16	17
	Total losses mW	200	220	260
50	ΔT°C	16	17	20
	Total losses mW	210	240	310
	ΔT°C	16	18	23
75	Total losses mW	210	260	360
	ΔT°C	16	19	26

Electrical data @ 25°C

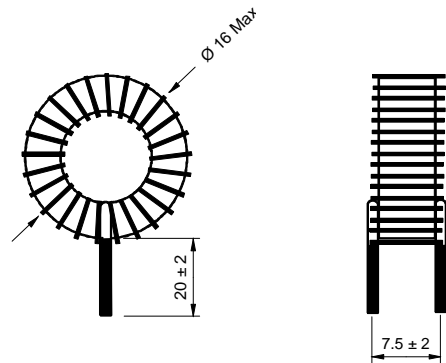
L f(I_{dc}) Inductance Values

I _{dc} (A)	L _{min} (μH)
0	44
1	40
2	36
2,5	35
3,5	30

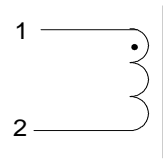


PN : 77210SNV

Mechanical dimensions



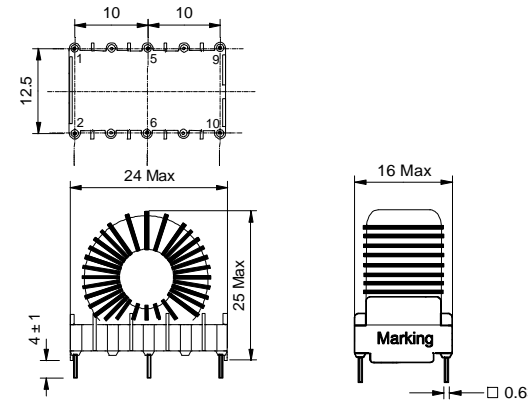
Schematic



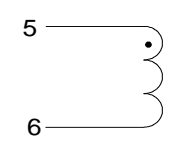
Inductance 1-2
Implantation in holes : 0.9 mm

PN : 77210EE

Mechanical dimensions



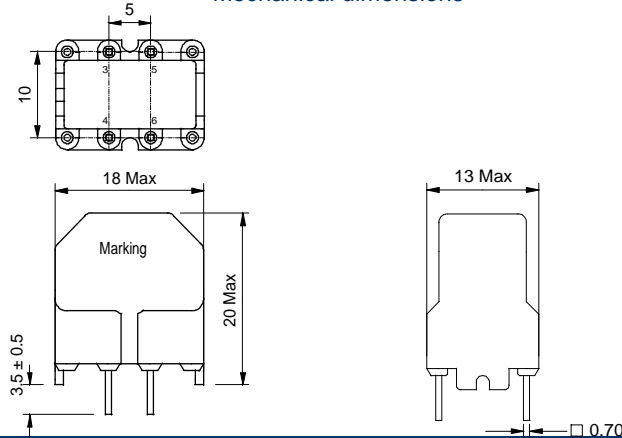
Schematic



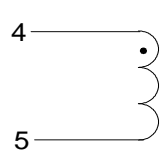
Inductance 5-6
Blind pins 1-2-9-10
Implantation in holes : 1,2 mm

PN : 77210BV

Mechanical dimensions



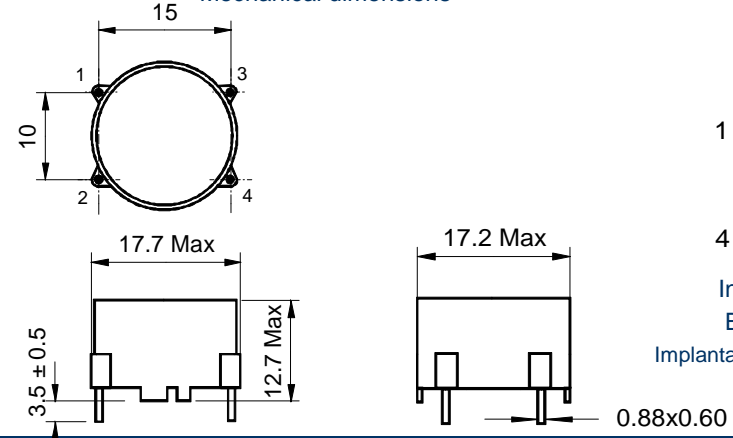
Schematic



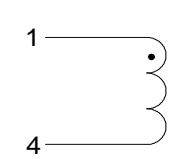
Inductance 4-5
Blind pins 3-6
Implantation in holes : 1,3 mm

PN : 77210BH

Mechanical dimensions



Schematic



Inductance 1-4
Blind pins 2-3
Implantation in holes : 1,3 mm