

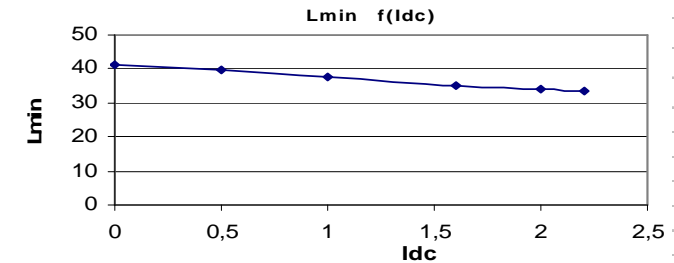
Resistance = 60m Ω max

Frequency kHz	Ripple Current	10% Δ I	20% Δ I	30% Δ I
25	Total losses mW	130	130	140
	Δ T $^{\circ}$ C	11	11	11
50	Total losses mW	130	140	150
	Δ T $^{\circ}$ C	11	12	12
75	Total losses mW	130	140	170
	Δ T $^{\circ}$ C	11	12	13
100	Total losses mW	130	150	180
	Δ T $^{\circ}$ C	11	12	14

Electrical data @ 25 $^{\circ}$ C

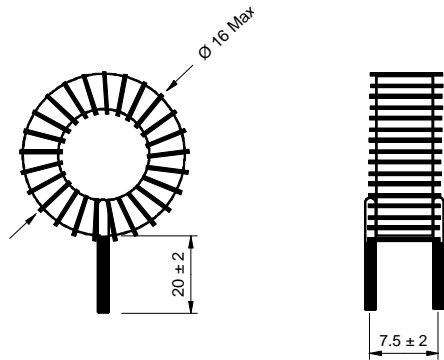
L f(I_{dc}) Inductance Values

I _{dc} (A)	L _{min} (μ H)
0	41
0,5	40
1	38
1,6	35
2	34
2,2	33

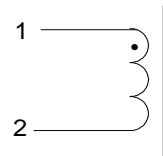


PN : 77208SNV

Mechanical dimensions



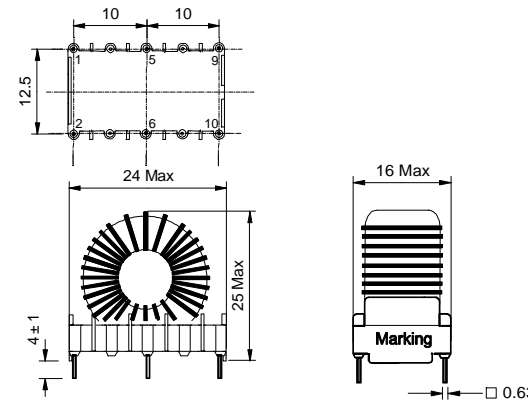
Schematic



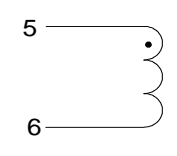
Inductance 1-2
Implantation in holes : 0.8 mm

PN : 77208EE

Mechanical dimensions



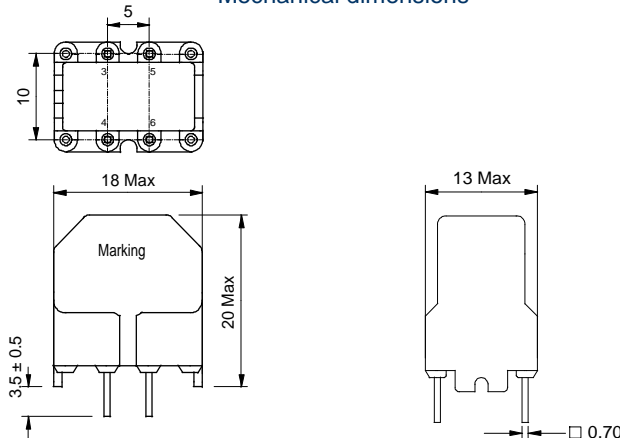
Schematic



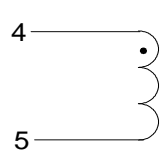
Inductance 5-6
Blind pins 1-2-9-10
Implantation in holes : 1,2 mm

PN : 77208BV

Mechanical dimensions



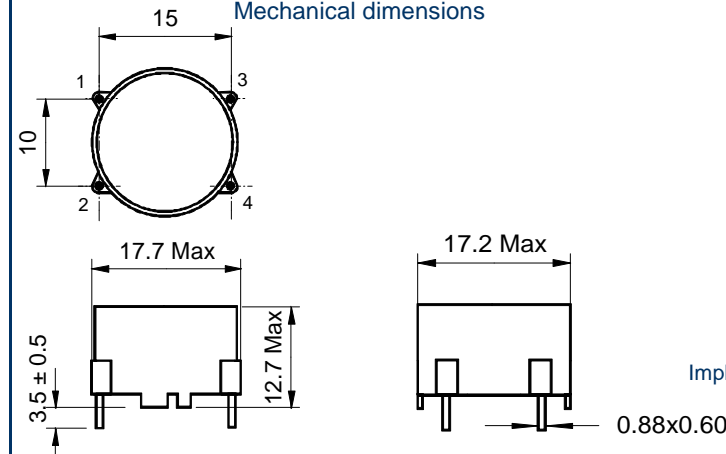
Schematic



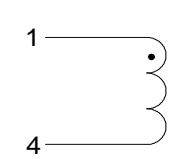
Inductance 4-5
Blind pins 3-6
Implantation in holes : 1,3 mm

PN : 77208BH

Mechanical dimensions



Schematic



Inductance 1-4
Blind pins 2-3
Implantation in holes : 1,3 mm