

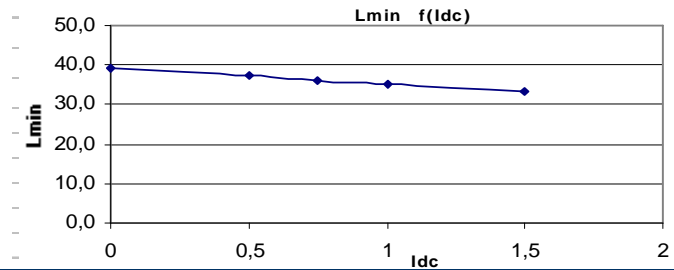
Resistance = 65mΩ max

Frequency kHz	Ripple Current	10%ΔI	20%ΔI	30%ΔI
25	Total losses mW	50	50	50
	ΔT°C	8	8	9
50	Total losses mW	50	50	60
	ΔT°C	8	9	9
75	Total losses mW	50	50	60
	ΔT°C	8	9	10
100	Total losses mW	50	60	70
	ΔT°C	8	9	11

L f(Idc) Inductance Values

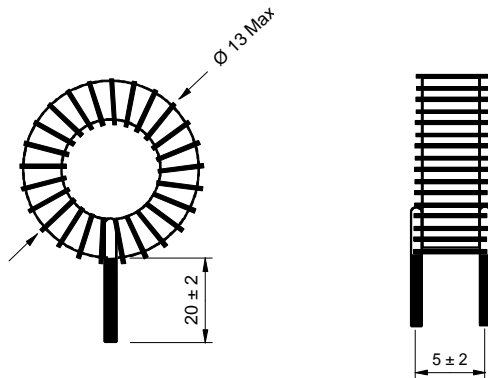
Idc (A)	Lmin (μH)
0	39,2
0,5	37,3
0,75	36,3
1	35,2
1,5	33,2

Electrical data @ 25°C

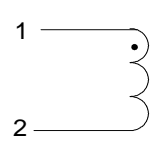


PN : 77206SNV

Mechanical dimensions



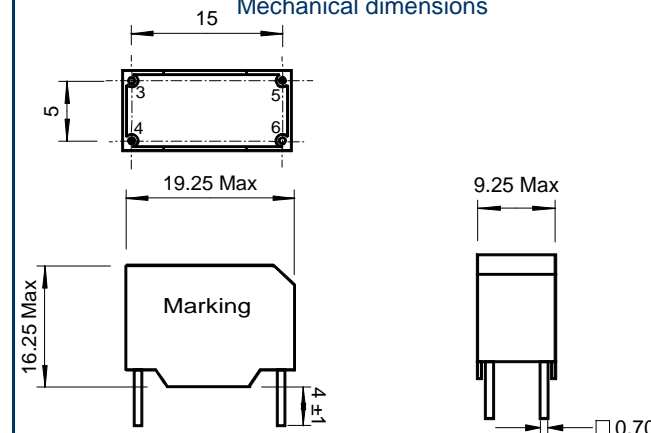
Schematic



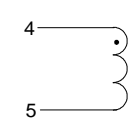
Inductance 1-2
Implantation in holes : 0.7 mm

PN : 77206BV

Mechanical dimensions



Schematic



Inductance 4-5
Blind pins 3-6
Implantation in holes : 1,3 mm